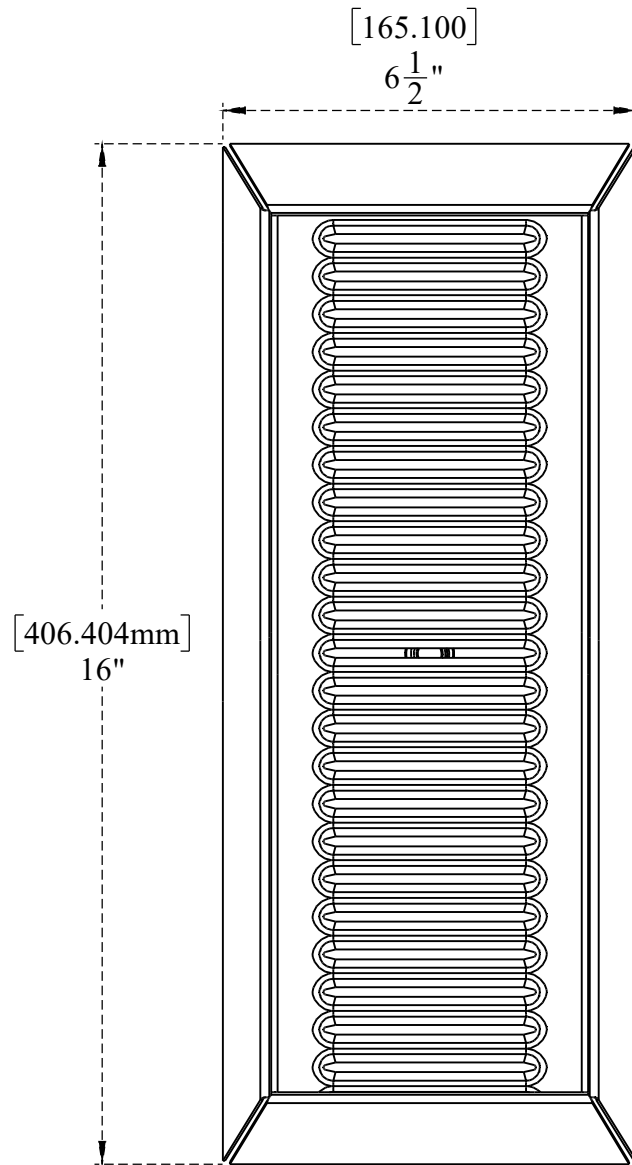


PART NO.-

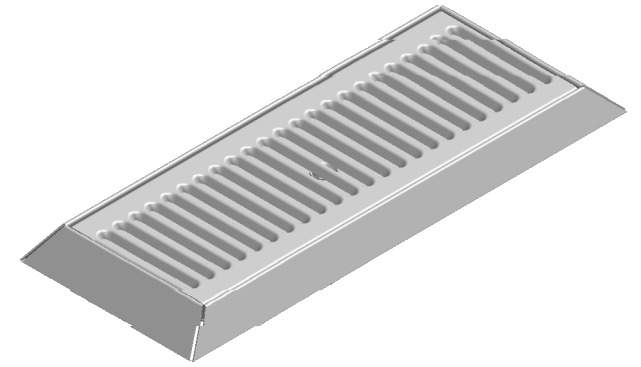
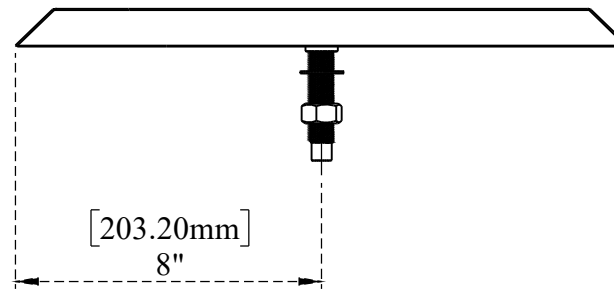
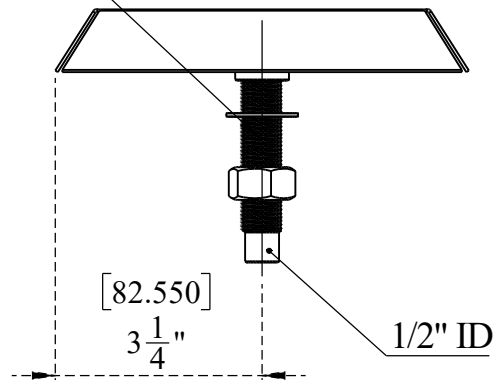
C629 Line Drawing

TITLE-

Beveled Edge Tray Assembly 16"X6.5" Line Dwg



Drain Threaded  
3-1/2" x 5/8" x 18



**Note:-** Information provided for reference only.

All Dimensions are in inches, mm (in bracket)