

- Flat Bottom 58mm Coffee Tamper Base
- Durable Handle Manufactured from Coated Aluminum
- Perfect for the busy espresso bar
- Comfortable Handle Provides Additional Grip



C011

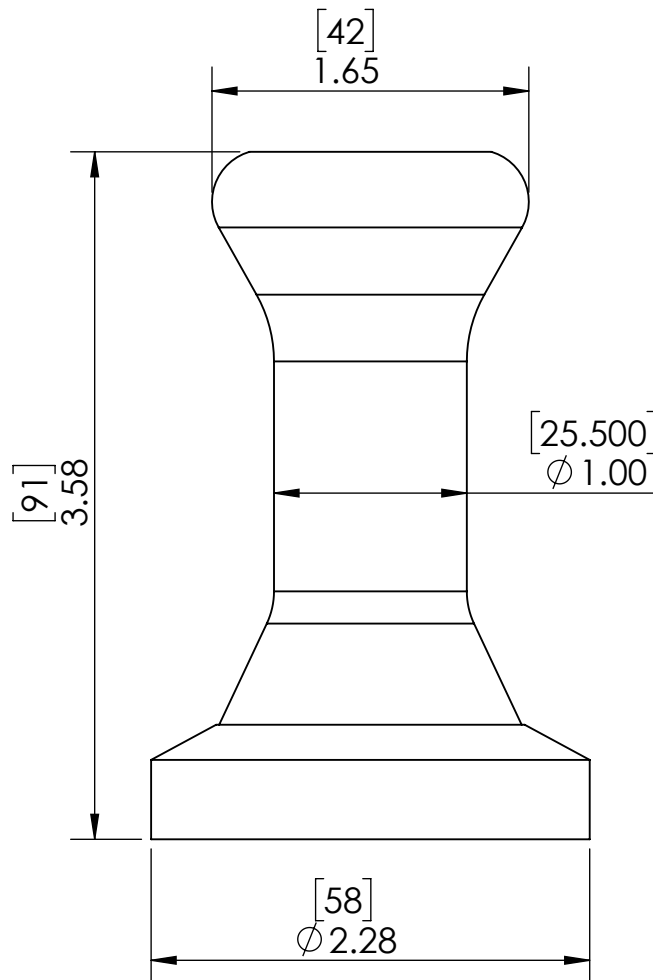
Brushed Stainless



## Options Available

Part Number	Size	Type
C2278	58 mm	Krometamp

## Product Dimensions:-



Copyright © 2017 Krome Dispense. All Rights Reserved Revision # 1 - -

US & Canada :- +1-678 666 2001

Asia:- +91-9814203010

Krome Dispense reserves the right to make revisions to product specifications without any notice  
For most updated specification sheet , go to [www.kromedispense.com](http://www.kromedispense.com)

