

- Made of High Quality Stainless Steel for Durability & Reliability
- Krome Dispense Stainless Steel 304 Grade Underbar Bracket is Designed to Hold BeerFaucets to the Underside of your Bar.
- Modern Look with Brushed Stainless Finish
- Installing a Bracket Allows you to Mount Up One Faucet.
- Mounting screws Included



C030

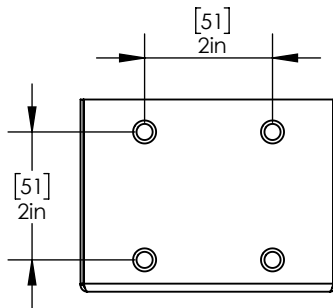
Brushed Stainless

## Options Available:-

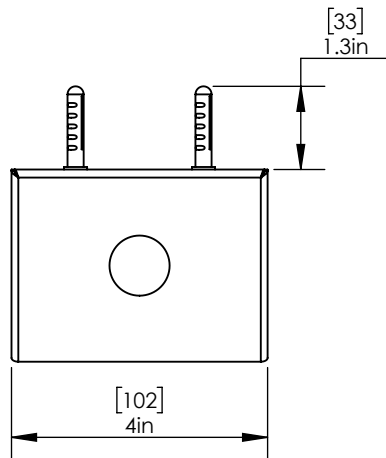
Part No.	Faucet Holes	Dimensions	Finish
C031	2	178mm L x 76mm W x 76mm H	Brushed Stainless
C032	3	254mm L x 76mm W x 76mm H	Brushed Stainless
C033	4	330mm L x 76mm W x 76mm H	Brushed Stainless

\*You need to order faucet and shank separately - not included with this bracket

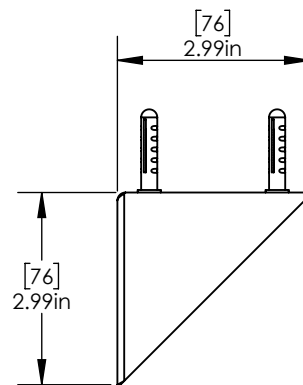
## Product Dimensions:-



Top View



Front View



Side View

Copyright © 2017 Krome Dispense. All Rights Reserved Revision # 1 - -

US & Canada :- +1-678 666 2001

Asia:- +91-9814203010

Krome Dispense reserves the right to make revisions to product specifications without any notice

For most updated specification sheet , go to [www.kromedispense.com](http://www.kromedispense.com)

