

For Residential and Commercial Applications

Job Name _____ Contractor _____

Job Location _____ Approval _____

Engineer _____ Contractor's P.O. No. _____

Approval _____ Representative _____

Beer Taps

Precision Secondary CO2 Regulator(1 outlet)
C073

Features & Benefits:

- Our CO2 regulator is made with a stainless steel body of the highest quality and can be used with various gases.
- 0-90 PSI
- The regulator comes with a precision diaphragm for more precise adjustment and a large body for high flow rates.
- A sizable adjustment knob is also included on the regulator for simple adjusting.
- Also applied to a variety of other gases, such as CO2, oxygen, argon, and helium.
- Ideal for Medium to Large Size Dispensing Systems.
- The most active bars and restaurants can meet their needs with designs of a commercial grade.
- for operating a gas blender or dispensing beer, wine, and cold brew.

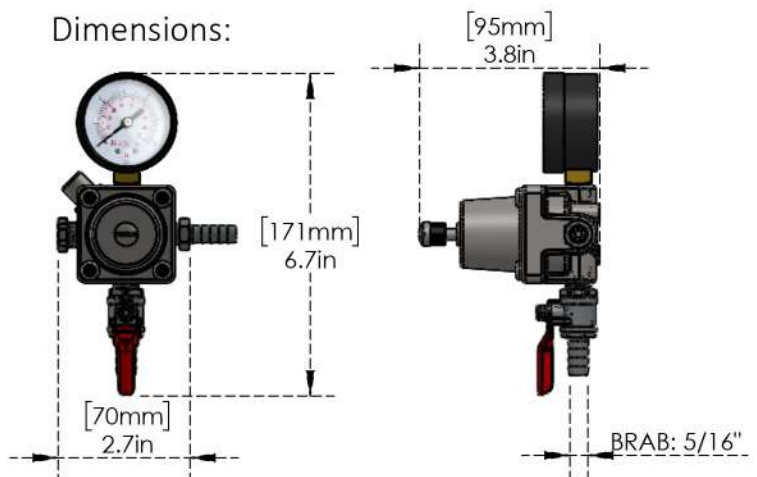


Performance :

- **Outlet Gauge Pressure** - 0-90 PSI
- Valve - 5/16" BARB
- PRV - with PRV
- GAS Type - CO2

Material: Stainless Steel 304

Option Available:



Part No.	Part Name	Outlet
C871	Precision Co2 Regulator	1
C5610	Premium Nitrogen Primary Regulator – CGA thread	1
C5613	Precision Primary CO2 Regulator	1
C5614	Precision CO2 Regulator – CGA 320	2

US & Canada :- +1-678 666 2001

Krome product Specifications in U.S. customary units and metric are approximate and are provided for reference only. For precise measurements, please contact Krome Technical Service. Krome reserves the right to change or modify product design, construction, specifications, or materials without prior notice and without incurring any obligation to make such changes and modifications on Krome products previously or subsequently sold. For most updated specification sheet, go to www.kromedispense.com