

- Stout faucets give a smoother and creamier pour
- SS finish tower, that can not be easily chipped
- This draft system restricts the contact of coffee with air so that your coffee stays fresh for a longer period of time
- Mounting hardware included
- Tap handles included for both the taps



C1029

SS Polished

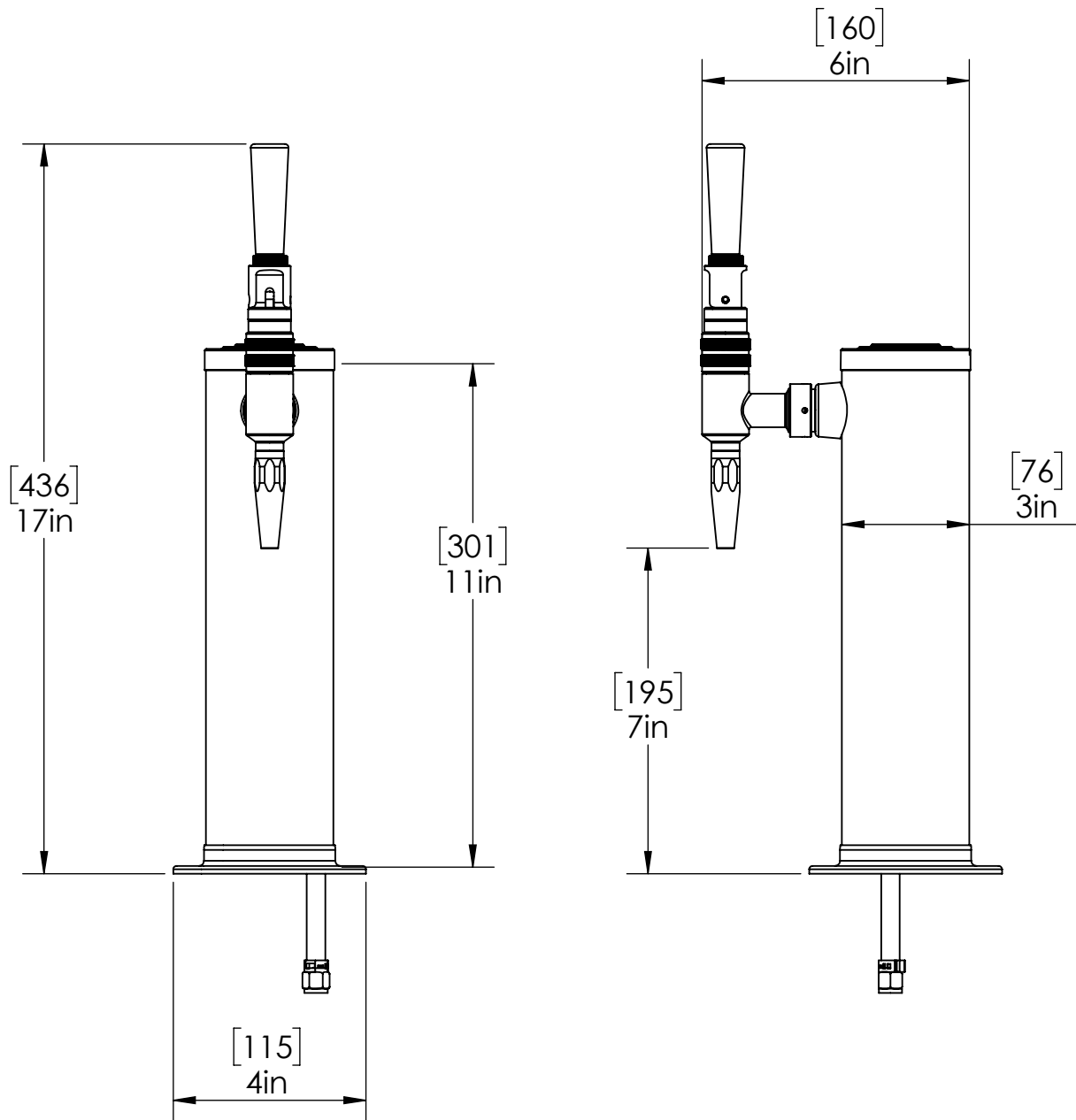
Copyright © 2017 Krome Dispense. All Rights Reserved. Revision # 1 - -



Specifications:-

Part No	Faucet	Finish	Cooling System
C1029	1 (100% SS Contact)	SS Polished	Air Cooled
C1014	1	SS Polished	Air Cooled

Product Dimensions:-



Copyright © 2017 Krome Dispense. All Rights Reserved Revision # 1 - -

US & Canada :- +1-678 666 2001

Asia:- +91-9814203010

Krome Dispense reserves the right to make revisions to product specifications without any notice
For most updated specification sheet , go to www.kromedispense.com

