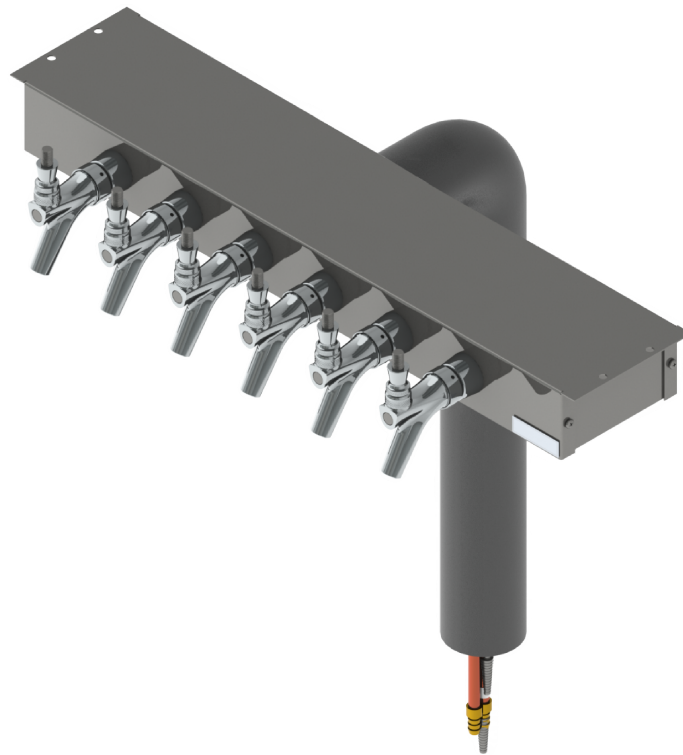


- Made of High Quality Stainless Steel for Durability & Reliability
- 100% Stainless Steel Contact with Beer to Serve Better Tasting
- Modern Look with Brushed Stainless
- Take your pouring to bold new heights



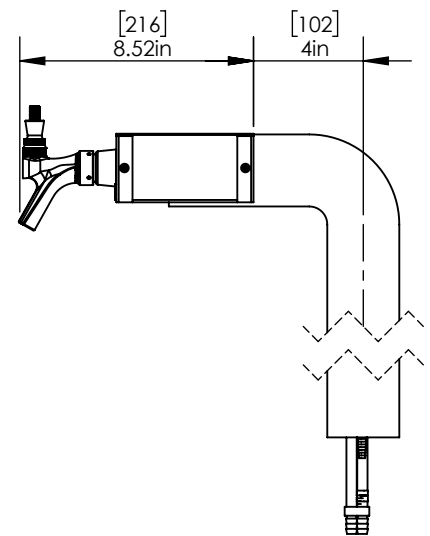
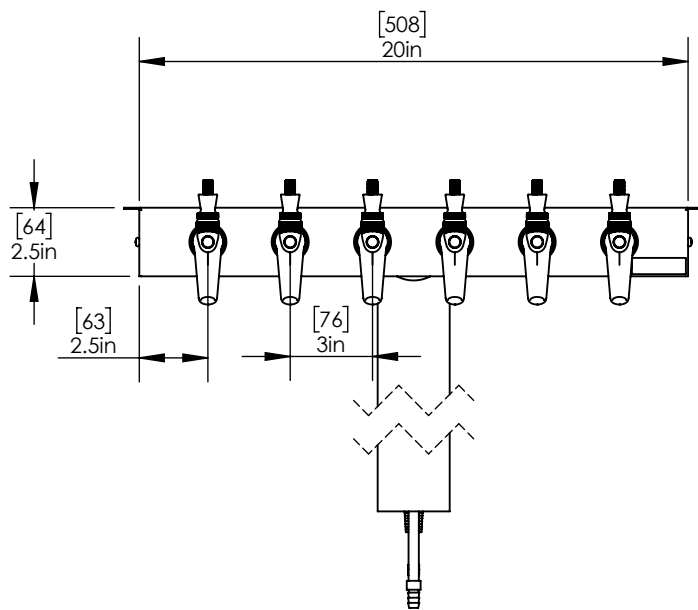
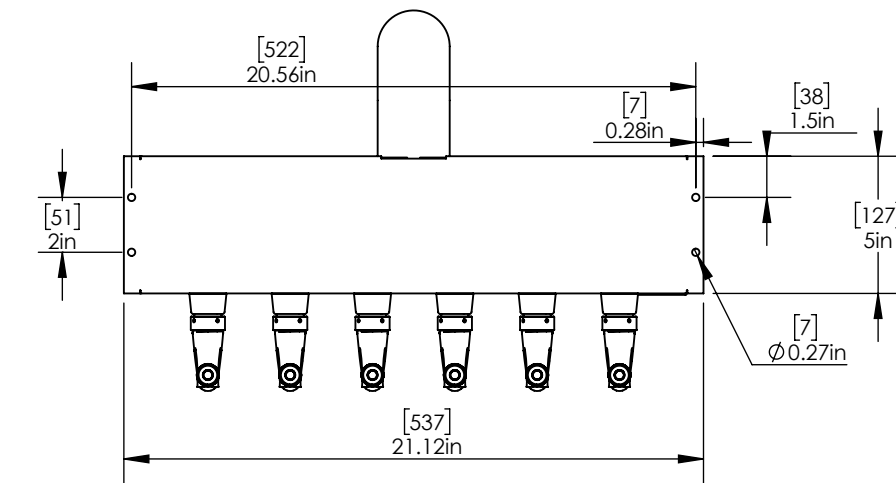
C1239

Brushed Stainless

Specifications:-

| Part No | Faucets | Finish | Cooling System |
|---------|---------|-------------------|-----------------------|
| C1239 | 6 | Brushed Stainless | Glyco Cold Technology |
| C1237 | 4 | Brushed Stainless | Glyco Cold Technology |
| C1238 | 5 | Brushed Stainless | Glyco Cold Technology |
| C1240 | 8 | Brushed Stainless | Glyco Cold Technology |

Product Dimensions:-



Copyright © 2017 Krome Dispense. All Rights Reserved Revision # 1 - -

US & Canada :- +1-678 666 2001

Asia:- +91-9814203010

Krome Dispense reserves the right to make revisions to product specifications without any notice
For most updated specification sheet , go to www.kromedispense.com

