

- Made of High-Quality Stainless Steel for Durability & Reliability
- 100% Stainless Steel Contact with Beer to Serve Better Tasting
- Modern Look with SS Polished Finish
- Take your pouring to bold new heights



C1428

SS Polished

Revision # 1 - -
Copyright © 2017 Krome Dispense. All Rights Reserved



US & Canada :- +1-678 666 2001

Asia:- +91-9814203010

Krome Dispense reserves the right to make revisions to product specifications without any notice

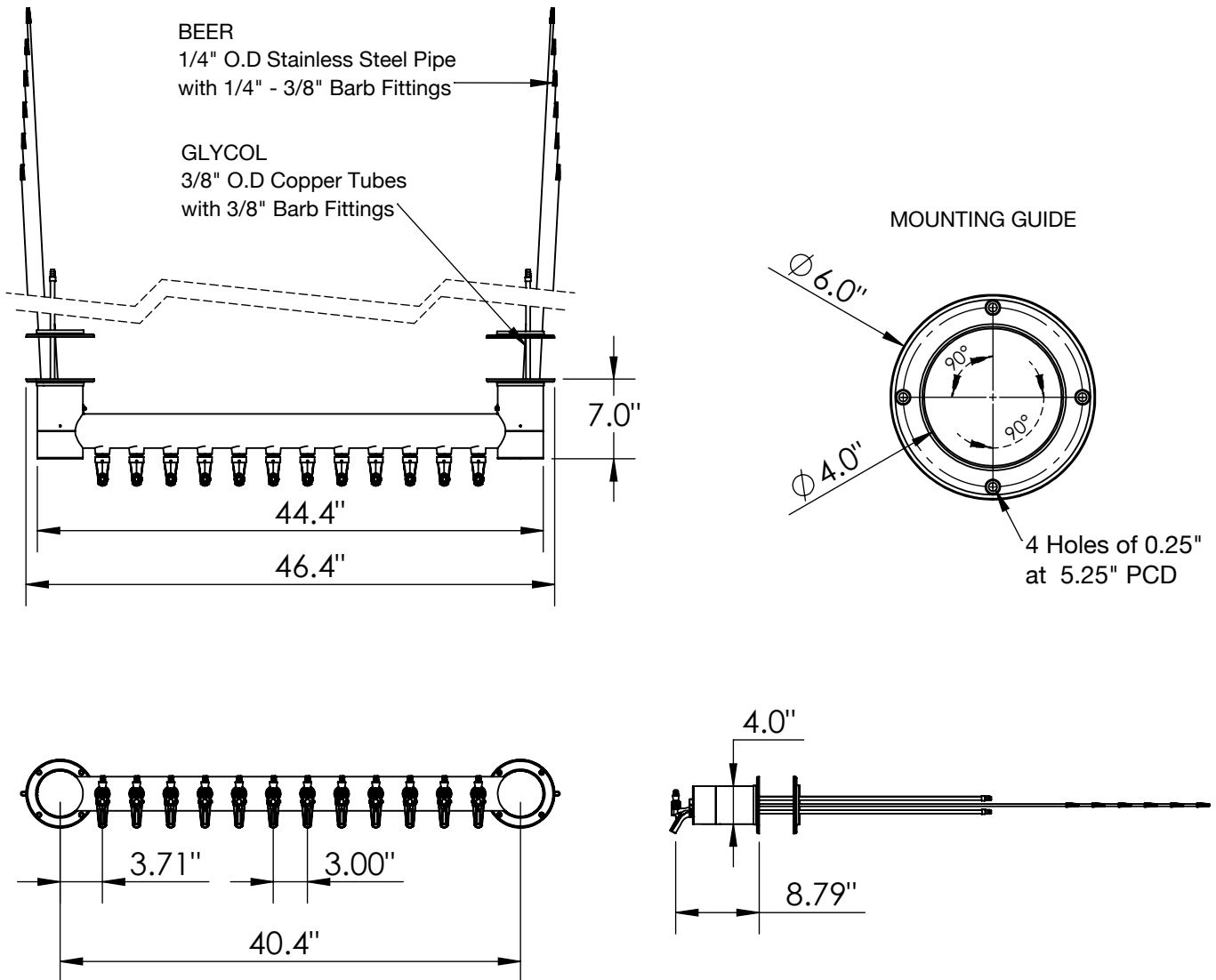
For most updated specification sheet , go to www.kromedispense.com



Specifications:-

Part No	Faucets	Finish	Cooling System
C1428	12	SS Polished	Glyco Cold Technology
C1425	6	SS Polished	Glyco Cold Technology
C1426	8	SS Polished	Glyco Cold Technology
C1427	10	SS Polished	Glyco Cold Technology
C1429	14	SS Polished	Glyco Cold Technology
C1430	16	SS Polished	Glyco Cold Technology

Product Dimensions:-



Revision # 1 - -
Copyright © 2017 Krome Dispense. All Rights Reserved

US & Canada :- +1-678 666 2001

Asia:- +91-9814203010

Krome Dispense reserves the right to make revisions to product specifications without any notice

For most updated specification sheet , go to www.kromedispense.com

