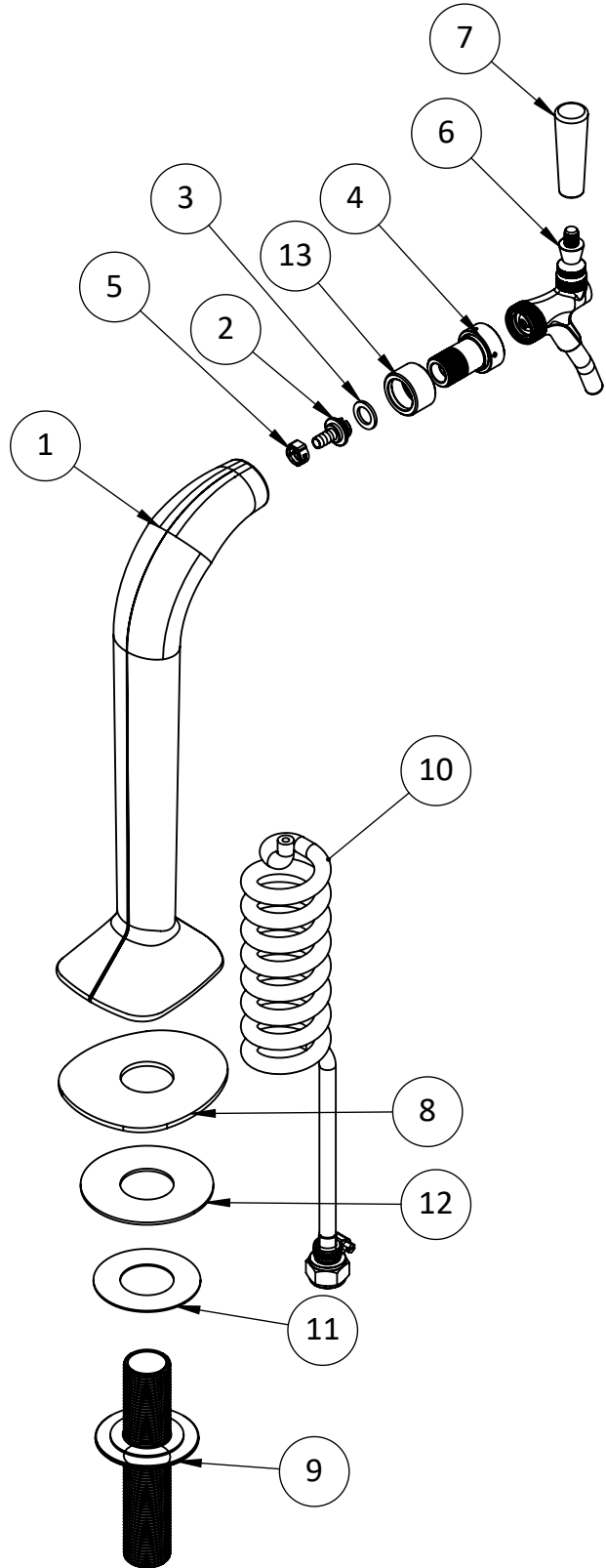


ItemNo.	Part No.	Part Name
1	C533.01	Single Faucet Snake Tower Body
2	C515.03	Axis Tower Tail Piece 1/4"
3	C810	Silicon Washer For Flow Control Tap
4	C505	Axis Tower Shank Assembly
5	C140	Step Less Clamp 3/16"
6	C361	Edge Tap
7	C186	Black Plastic Knob
8	C533.02	Tower Base Rubber
9	C541	Full Thread Nipple With Locking Nut
10	C041	Beer Hose Assembly(On One End) with SS Tailpiece
11	C589.03	SS Washer
12	C589.04	Rubber Washer
13	C861	Spacer For Shank 3/4"



Product Dimensions:-

Options Available

US & Canada :- +1-678 666 2001

Asia:- +91-9814203010

Krome Dispense reserves the right to make revisions to product specifications without any notice

For most updated specification sheet , go to www.kromedispense.com

