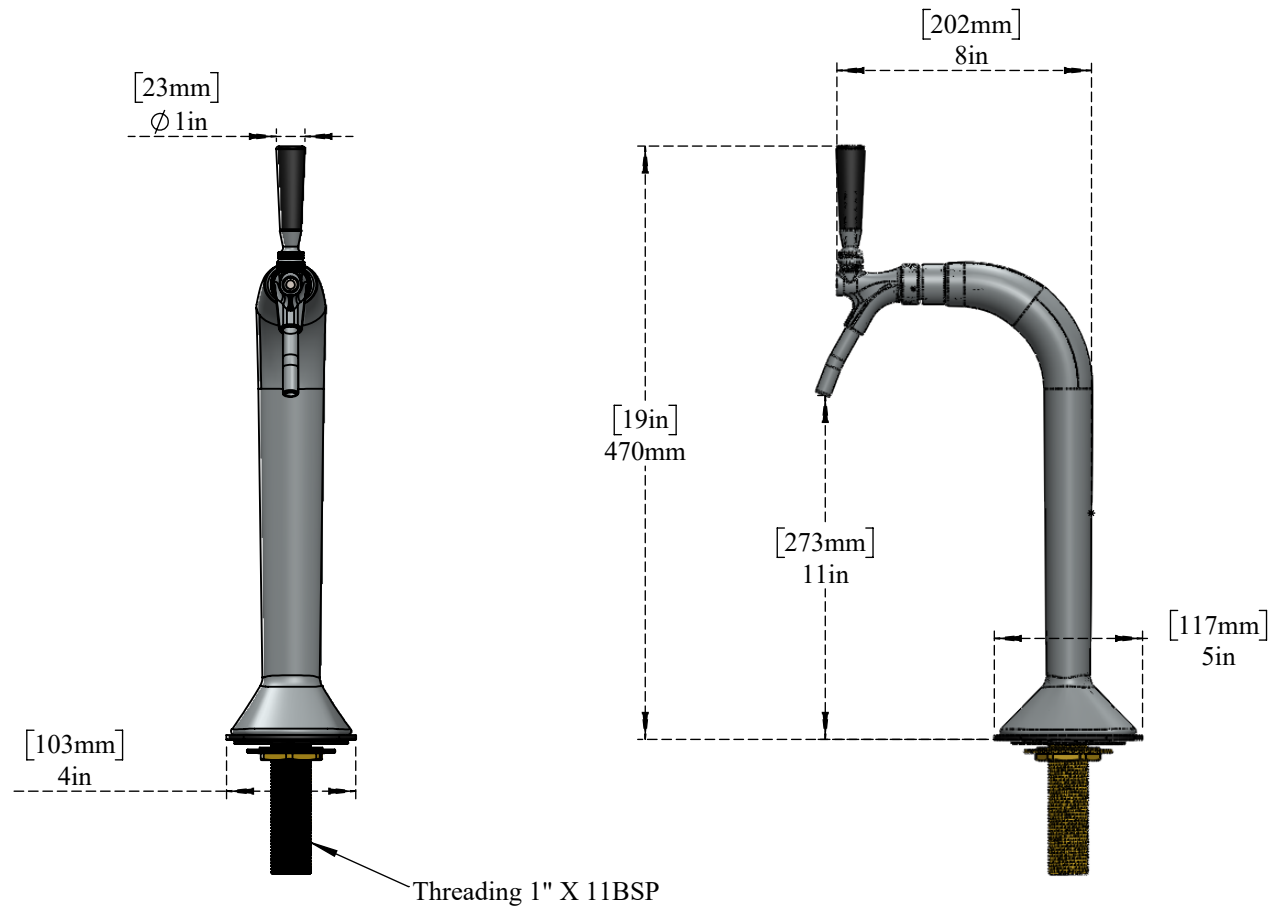


PART NO.-

C1431 Line Drawing

TITLE-

Single Faucet Snake Tower Line Drawing



All dimensions are in inches, mm (in bracket)

**Krome**  
dispense

Note:- Information provided for reference only.

\* This document and the information thereon is the property of Krome Dispense Pvt Ltd. & its subsidiaries. Any reproduction in part or as a whole without the written permission of Krome Dispense Pvt Ltd. is prohibited.