

Features & Benefits:

- **Made of High Quality Brass for Durability & Reliability**
- **100% Stainless Steel Contact with Beer to Serve Better Tasting**
- **Modern Look with Polished Chrome Finish**
- **Take your pouring to bold new heights**

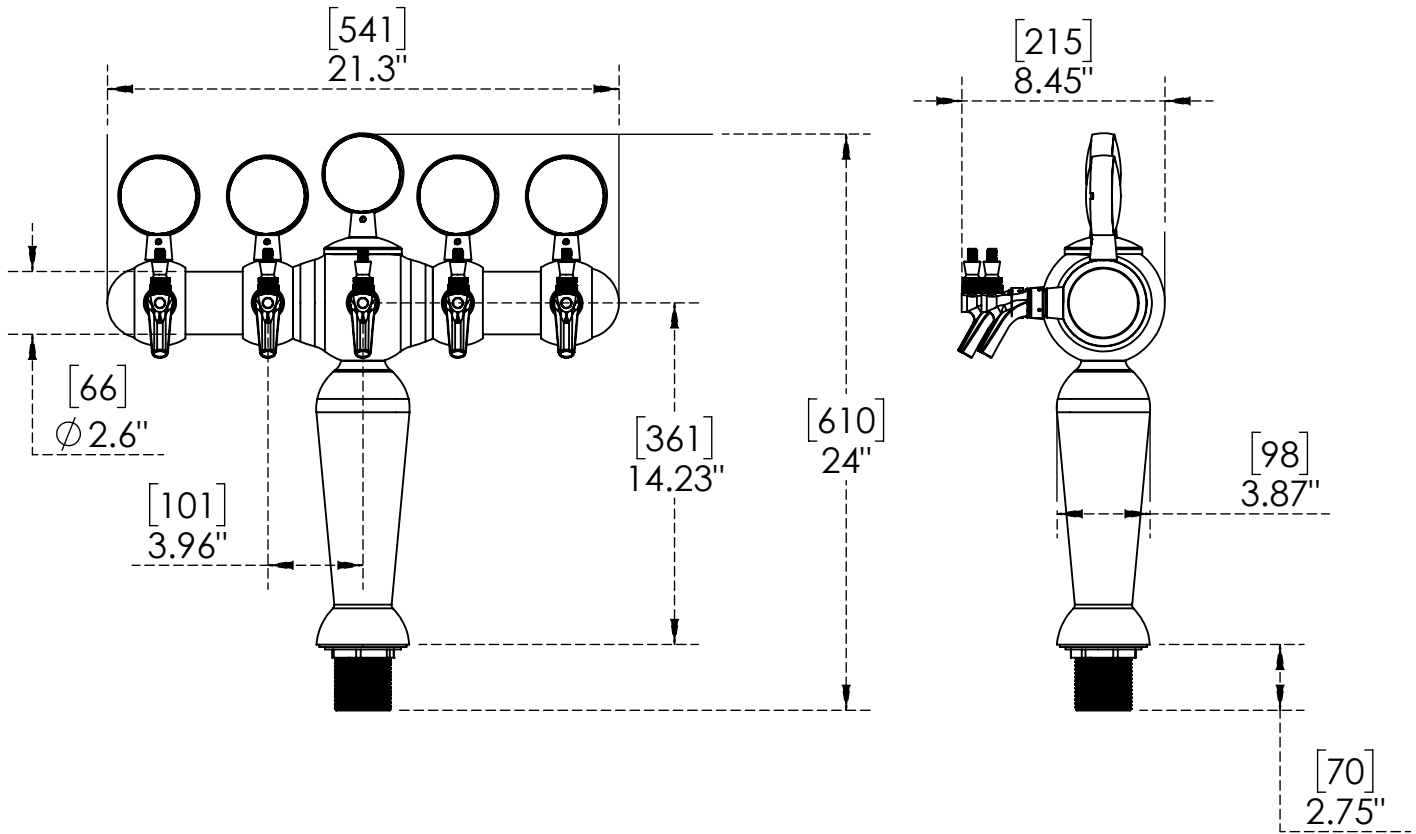


1526

Polished Chrome

Warranty: 2 Years Limited

Product Dimensions:-



Options Available

Part No	No. of Faucets	Finish	Cooling System	Illumination
C1526	5	Polished Chrome	Glycol Cold Technology	Illuminated
C1525	5	Chrome Plated	Glycol Cold Technology	non Illuminated

US & Canada :- +1-678 666 2001

Asia:- +91-9814203010

Krome Dispense reserves the right to make revisions to product specifications without any notice

For most updated specification sheet , go to www.kromedispense.com

