

- Stainless Steel Knock Box with Brushed Finish
- Made of 100% Stainless Steel for Durability
- Includes Hush Gasket & removable NBR rubber knock bar for reduced impact noise
- Sleek design make these units easy to clean



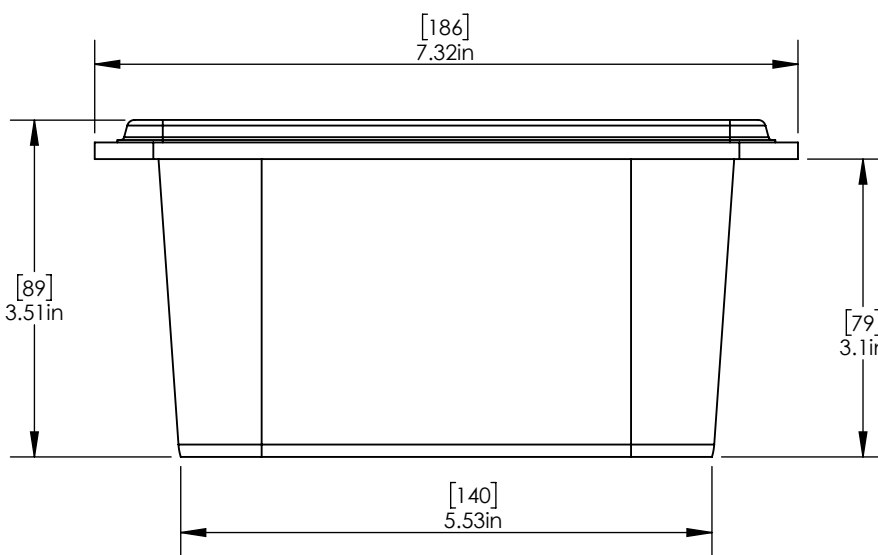
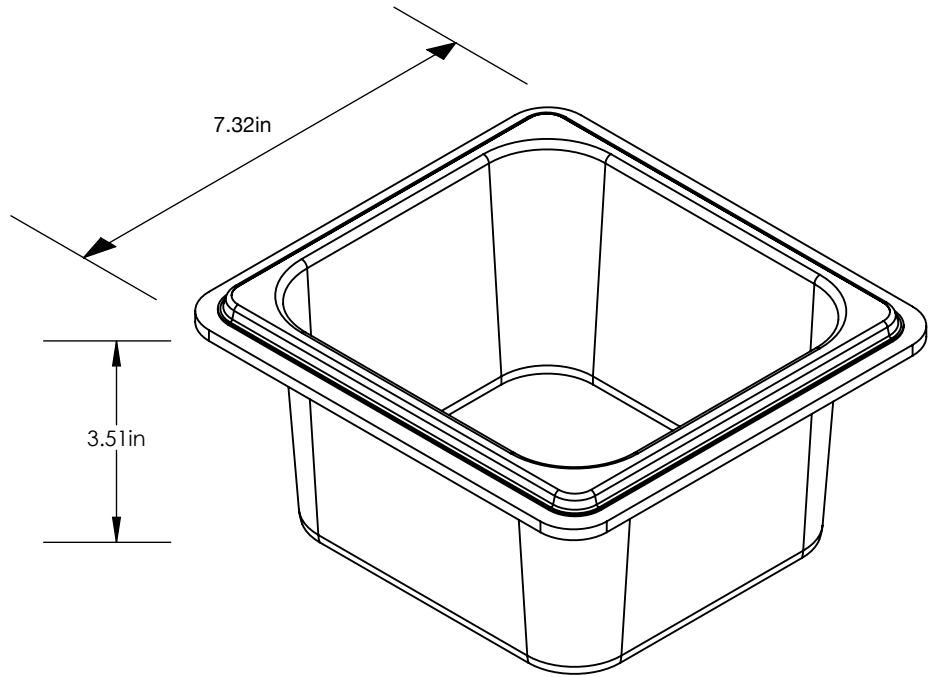
C1884

Option Available:-

Part No	Part Name
C884	7.32" x 6.85" Stainless Steel Knock Box Chute

Product Dimensions:-

Isometric View



Front View

Copyright © 2017 Krome Dispense. All Rights Reserved Revision # 1 - -