

Features & Benefits:

- Clamp on Bracket Finish: Powder Coated
- Clamp on Tower Base Cover: SS304
- Clamp on Tower with 2" hole

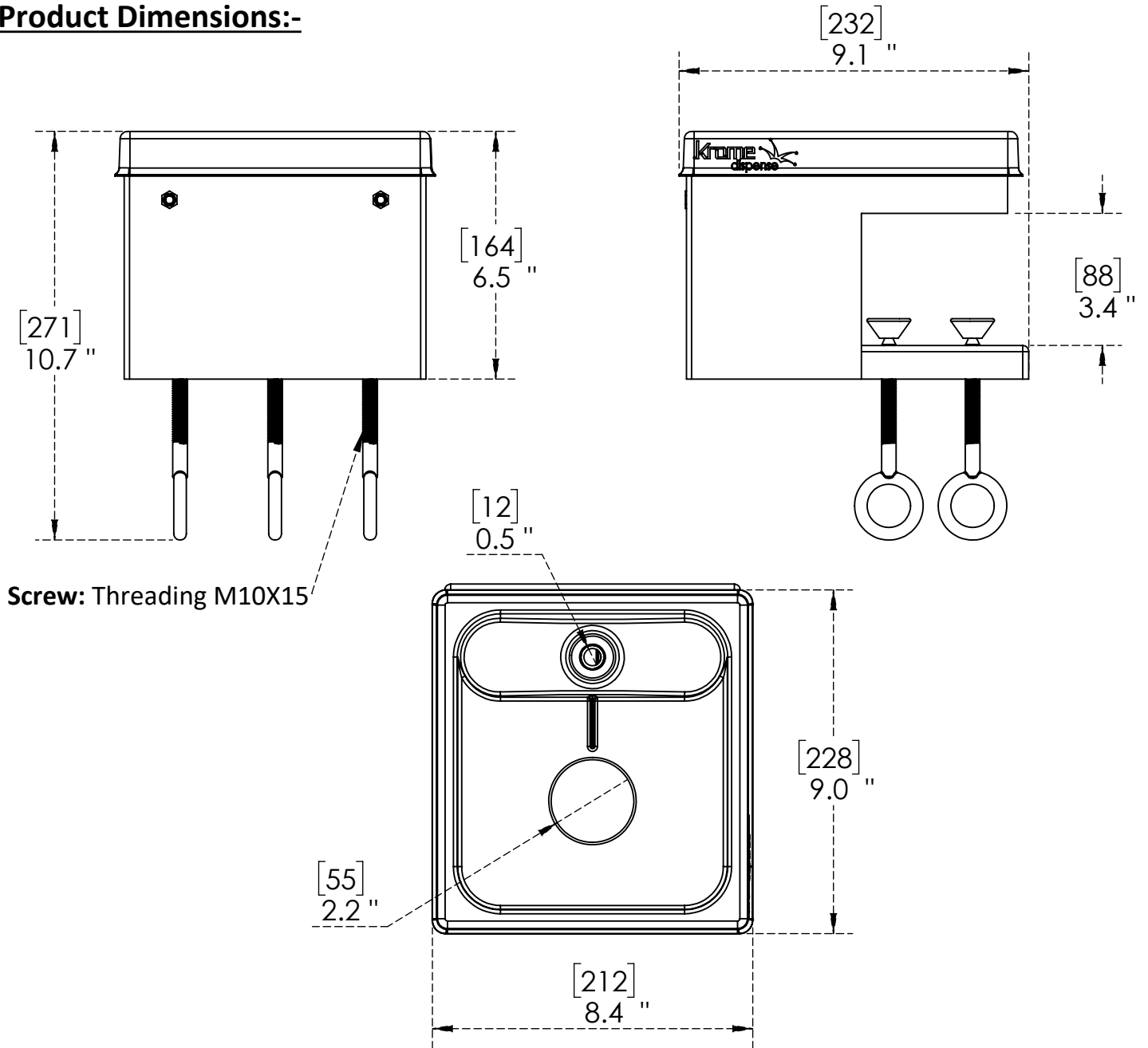


C2039

Powder Coat

Warranty: One Year (Limited)

Product Dimensions:-



Options Available

| Part Number | Clamp Cover Material | Clamp on Bracket Finish | Drip Tray | Nipple Hole |
|-------------|----------------------|-------------------------|-----------|-------------|
| C124 | SS 304 | Powder Coated | 18"X8" | 2" |
| C124.ST | SS 304 | Powder Coated | 7"X8" | 2" |

US & Canada :- +1-678 666 2001
 Asia:- +91-9814203010

Krome Dispense reserves the right to make revisions to product specifications without any notice
 For most updated specification sheet , go to www.kromedispense.com

