

Features & Benefits:

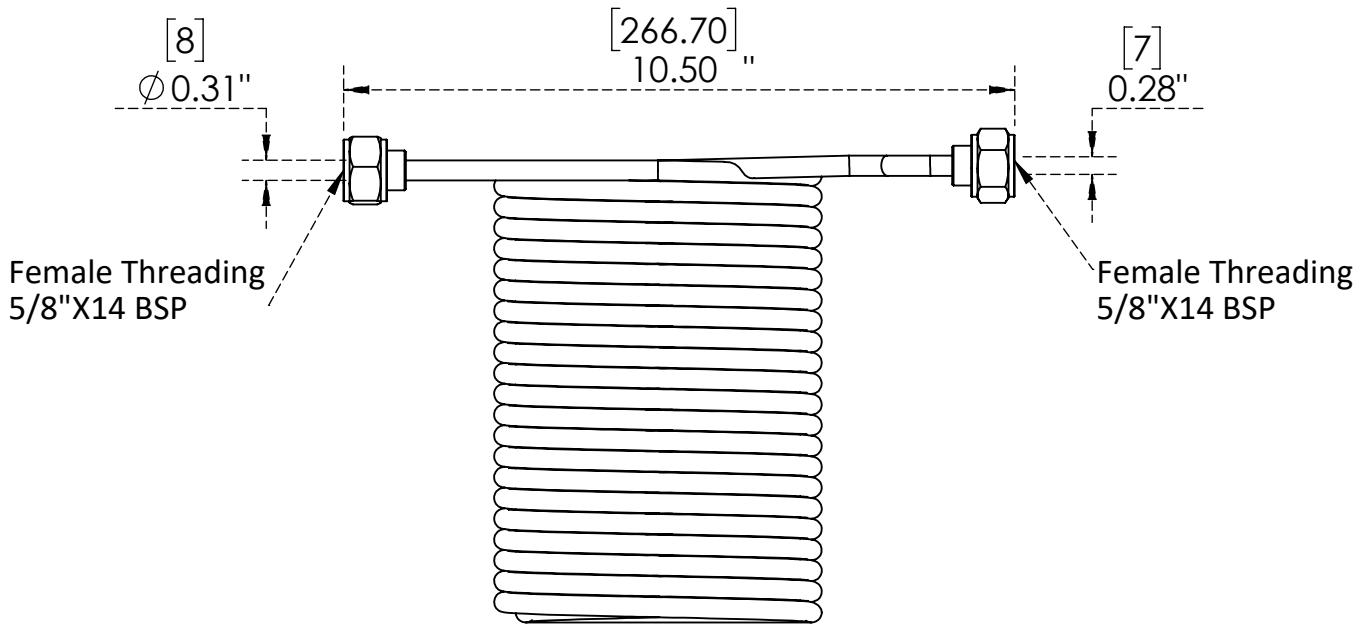
- Material= Stainless steel 304
- Coil Hieght= 6.75"
- Coil Length= 50'(feet)
- 1/4" ID & 5/16"OD
- Wall Thickness 0.50 mm



C220

Warranty: One Year (Limited)

Product Dimensions:-



Options Available No Option Available

US & Canada :- +1-678 666 2001

Asia:- +91-9814203010

Krome Dispense reserves the right to make revisions to product specifications without any notice

For most updated specification sheet , go to www.kromedispense.com

