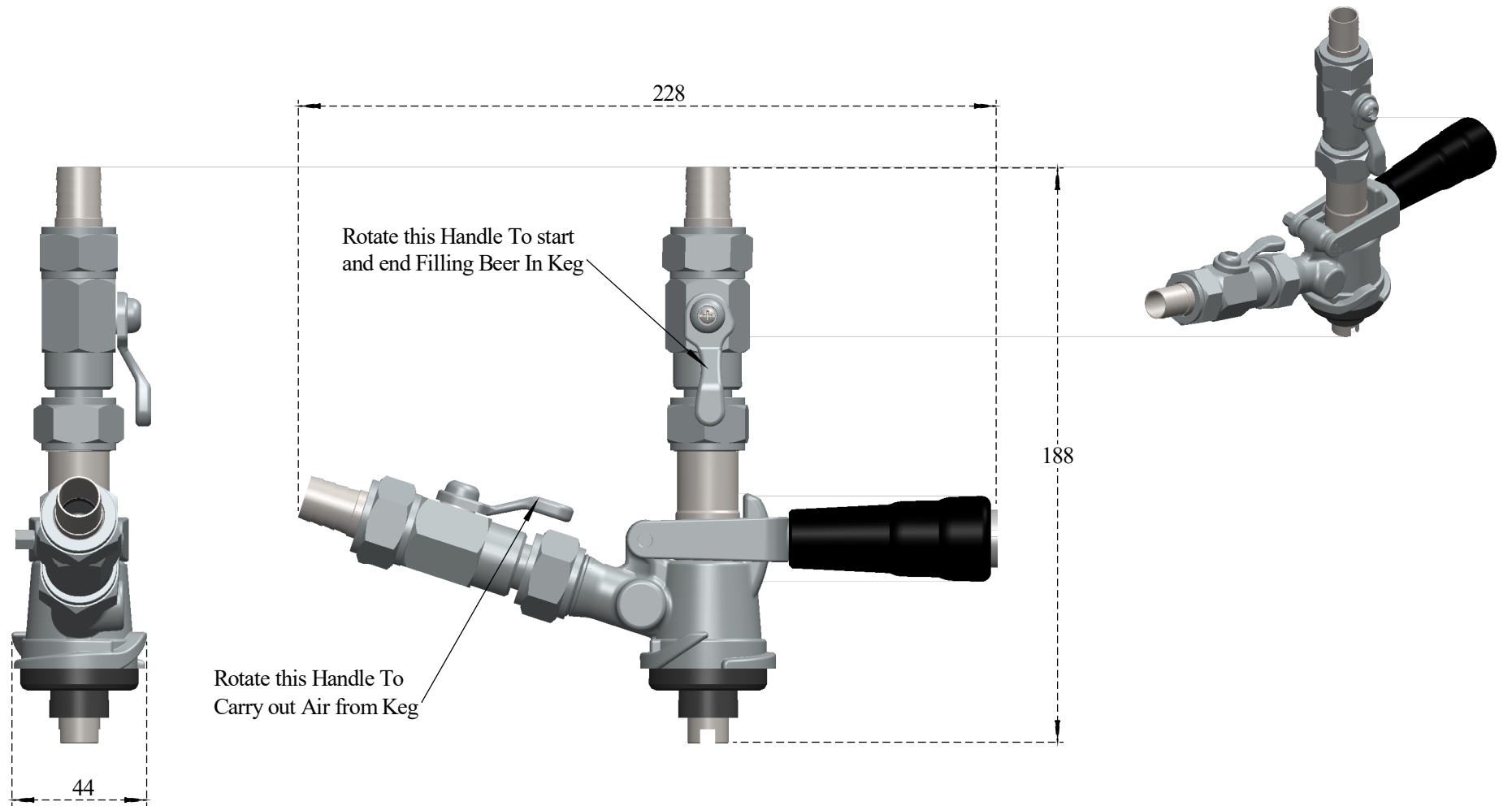


PART NO.-

C2248 Line Drawing

TITLE-

Manual Keg Filler - S System Line Drawing



**Note:-** Information provided for reference only.

\* This document and the information thereon is the property of Krome Dispense Pvt Ltd. & its subsidiaries. Any reproduction in part or as a whole without the written permission of Krome Dispense Pvt Ltd. is prohibited.

All Handles are Currently in ON Position