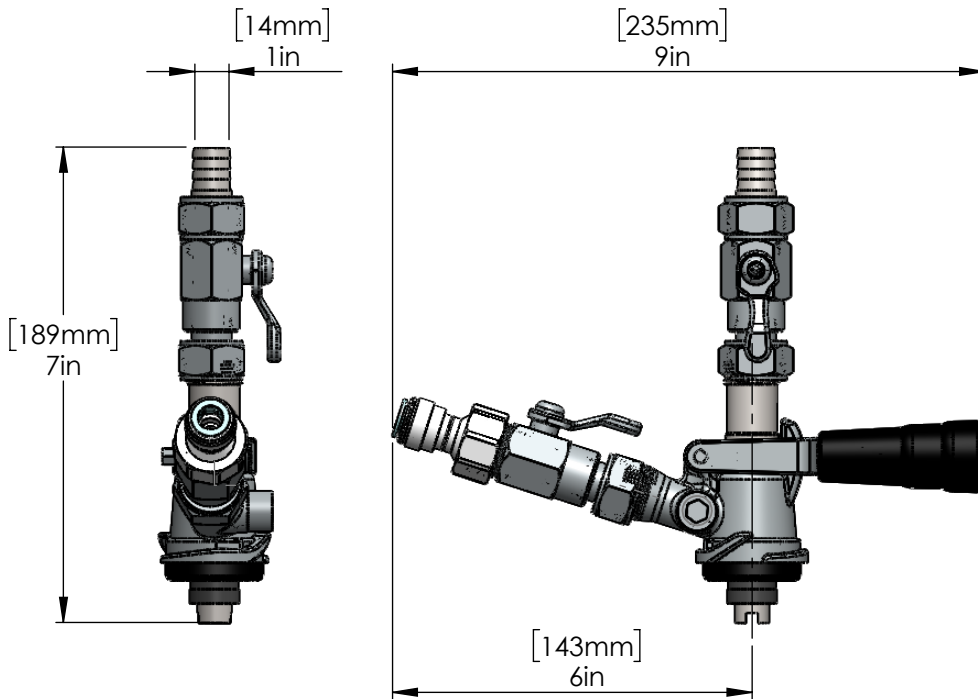


For Residential and Commercial Applications

Job Name _____
Job Location _____
Engineer _____
Approval _____

Contractor _____
Approval _____
Contractor's P.O. No. _____
Representative _____

Series Manual Keg Filler – S Type C2248



Features & Benefits:

- Pressure Relief valve Included For Safety , Releases at 56 – 65 PSI
- S system is also called European Sankey and used by most European brewers.
- Pull out and push down lever handle to tap a keg

Material: Lead free Brass

Warranty: Two year(Limited)

Specifications:

- Material Brass
- Finish Chrome Plated
- Thread Size 5/8"x14 BSP
- Probe Material Stainless Steel 304

NOTICE

The information contained herein is not intended to replace the full product installation and safety information available or the experience of a trained product installer. You are required to thoroughly read all installation instructions and product safety information before beginning the installation of this product.

Krome
dispense

US & Canada :- +1-678 666 2001

Krome product Specifications in U.S. customary units and metric are approximate and are provided for reference only. For precise measurements, please contact Krome Technical Service. Krome reserves the right to change or modify product design, construction, specifications, or materials without prior notice and without incurring any obligation to make such changes and modifications on Krome products previously or subsequently sold. For most updated specification sheet, go to