

- Flat Bottom 56mm Coffee Tamper Base
- Durable Handle Manufactured from Coated Aluminum
- Perfect for the busy espresso bar
- Comfortable Handle Provides Additional Grip



C2276

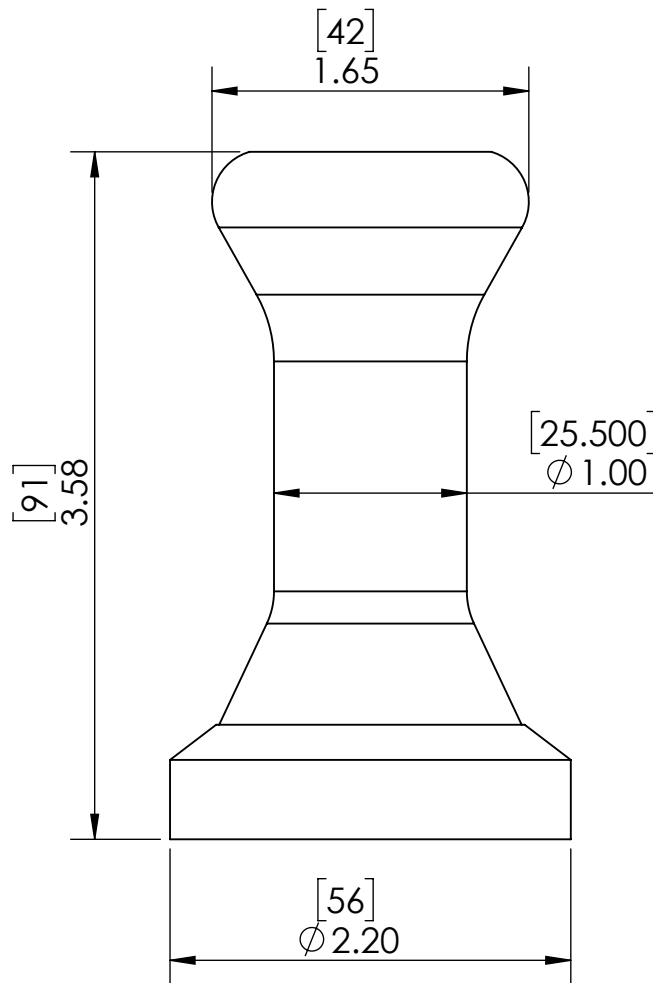
Brushed Stainless



## Options Available

| Part Number | Size  | Type      |
|-------------|-------|-----------|
| C2282       | 56 mm | Krometamp |

## Product Dimensions:-



Copyright © 2017 Krome Dispense. All Rights Reserved Revision # 1 - -

US & Canada :- +1-678 666 2001

Asia:- +91-9814203010

Krome Dispense reserves the right to make revisions to product specifications without any notice  
For most updated specification sheet , go to [www.kromedispense.com](http://www.kromedispense.com)

