

- Flat Bottom 58mm Coffee Tamper Base
- Perfect for the busy espresso bar
- Durable Handle Manufactured from ABS
- Comfortable Round Head Handle Provides Additional Grip



C2278

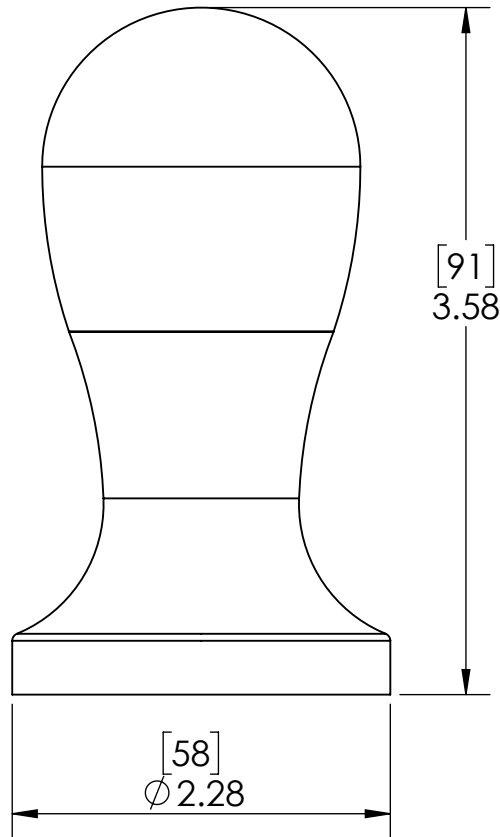
Brushed Stainless



Options Available

Part Number	Size	Type
C011	58 mm	Basic

Product Dimensions:-



Revision # 1 - -
Copyright © 2017 Krome Dispense. All Rights Reserved

US & Canada :- +1-678 666 2001

Asia:- +91-9814203010

Krome Dispense reserves the right to make revisions to product specifications without any notice
For most updated specification sheet , go to www.kromedispense.com

