

- Flat Bottom 58mm Coffee Tamper Base
- Durable Handle Manufactured from Coated Aluminum
- Perfect for the busy espresso bar
- Comfortable Handle Provides Additional Grip

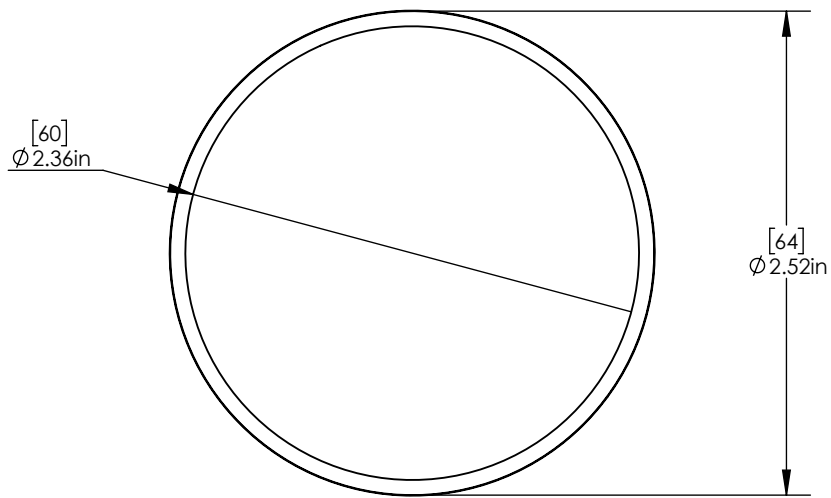


**C2290**

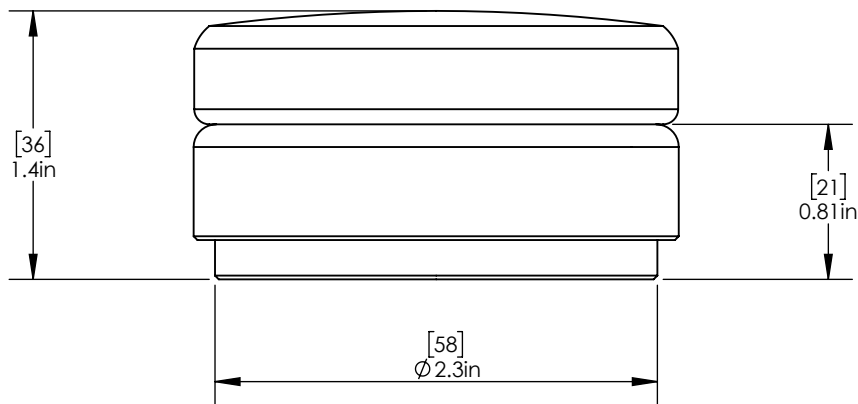
## Option Available:-

Part No	Size	Type
C011	58 mm	Basic
C2278	58 mm	Krometamp

## Product Dimensions:-



Top View



Front View