

Features & Benefits:

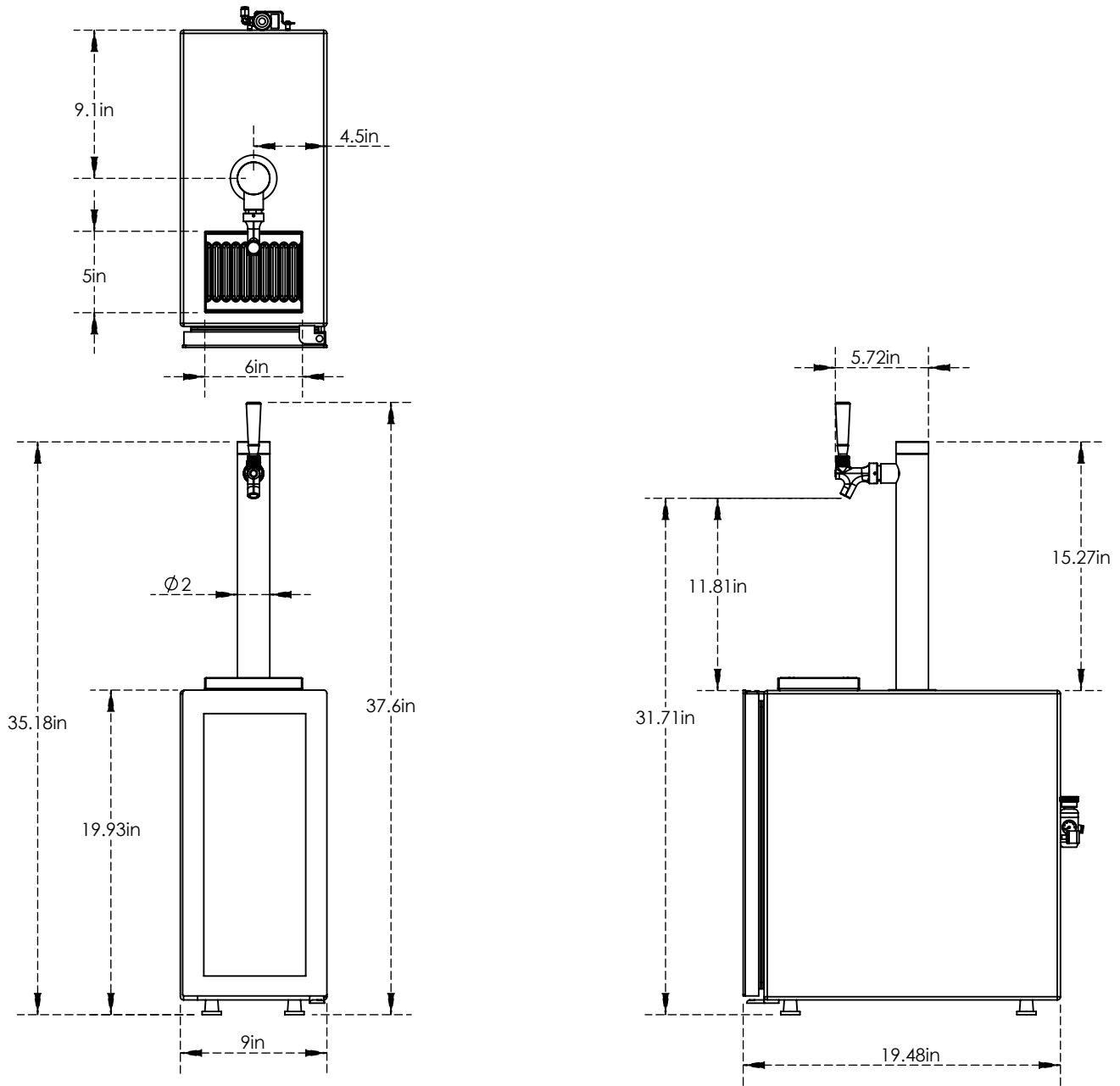
- Self-Closing Glass Door
- Interior lighting
- Manual temperature control
- Convection Cooling
- Easy to fit 2 Liter Mini Keg



C2409

Warranty: Two Year (Limited)

Product Dimensions:-



Revision # -

Copyright © 2017 Krome Dispense. All Rights Reserved

Options Available

Part No.	Faucet Style	Voltage	Suitable	Volume	Frequency	Current Rate	Energy Consumption	Refrigerant	Dimensions (HXWXD)cm
C2408	Flow Control Tap	240V	2x 2Ltr Keg	15L	50 Hz	0.4 A	0.9 kwh/ 24 h	R600a (10gm)	50.5X23X49
C2409	US Faucet	110V	2x 2Ltr Keg	15L	60 Hz	0.4 A	0.9 kwh/ 24 h	R600a (10gm)	50.5X23X49
C2410	Stout Faucet	240V	2x 2Ltr Keg	15L	50 Hz	0.4 A	0.9 kwh/ 24 h	R600a (10gm)	50.5X23X49
C2411	Stout Faucet	110V	2x 2Ltr Keg	15L	60 Hz	0.4 A	0.9 kwh/ 24 h	R600a (10gm)	50.5X23X49

US & Canada :- +1-678 666 2001

Asia:- +91-9814203010

Krome Dispense reserves the right to make revisions to product specifications without any notice

For most updated specification sheet , go to www.kromedispense.com

