

- Flat Bottom 50mm Coffee Tamper Base
- Perfect for the busy espresso bar
- Durable Handle Manufactured from ABS
- Comfortable Round Head Handle Provides Additional Grip



C2450

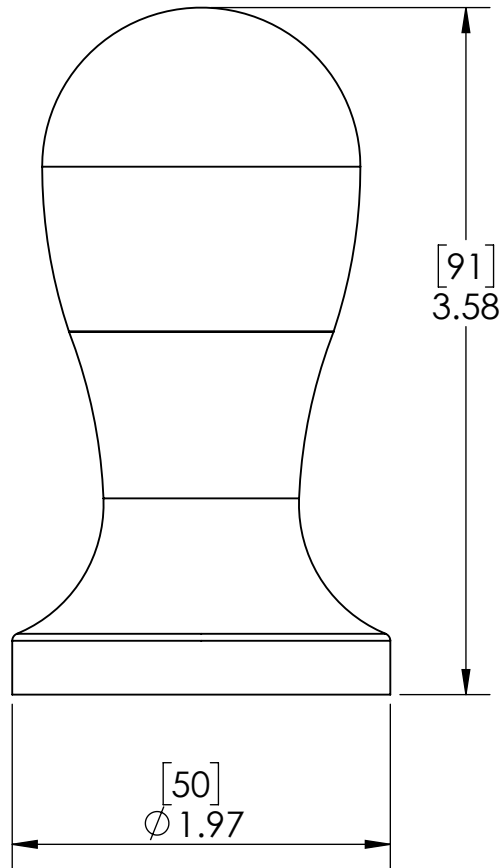
Brushed Stainless



Options Available

| Part Number | Size | Type |
|-------------|-------|-------|
| C2283 | 50 mm | Basic |

Product Dimensions:-



Copyright © 2017 Krome Dispense. All Rights Reserved Revision # 1 - ---

US & Canada :- +1-678 666 2001

Asia:- +91-9814203010

Krome Dispense reserves the right to make revisions to product specifications without any notice
For most updated specification sheet , go to www.kromedispense.com

