

## For Residential and Commercial Applications

Job Name \_\_\_\_\_ Contractor \_\_\_\_\_

Job Location \_\_\_\_\_ Approval \_\_\_\_\_

Engineer \_\_\_\_\_ Contractor's P.O. No. \_\_\_\_\_

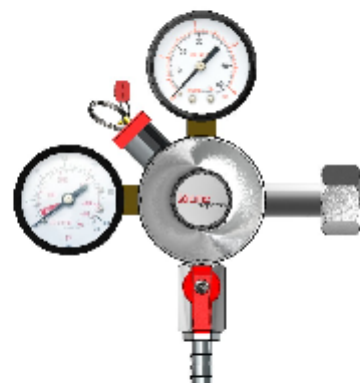
Approval \_\_\_\_\_ Representative \_\_\_\_\_

### Beer Taps

Primary Precision Plus CO2 Regulator with 1 Outlet - CGA-C2971

#### Features & Benefits:

- Made of high quality machined brass and can use with a variety of gases.
- Adjust pressure from 0 to 60 PSI
- metal gauges of better quality and durability
- It made to dispense cold brew, wine, and beer.
- High output flow rates with constant pressure supply
- Modification-proof adjustment screw and bonnet.
- CO2 connection expanded for high volume
- Installation is easy .
- The Safety relief valve releases at 55-65 PSI
- The needs of the most active pubs and restaurants are satisfied by commercial grade design.
- For dispensing beer, wine and cold brew, or servicing a gas blender
- These are utilized on a range of gases, including nitrogen, helium, argon, oxygen, and CO2.
- Suitable for Medium to Large Dispensing Systems.



#### Performance:

- **Barb** - 3/8" O.D. (To fit 5/16" I.D. Gas Hoses)
- **Pressure Relief Valve** - 55-65 PSI
- **Tank Pressure Gauge** - 0-3000 PSI
- **Outlet Gauge Pressure** - 0-60 PSI
- **GAS Type** - CO2

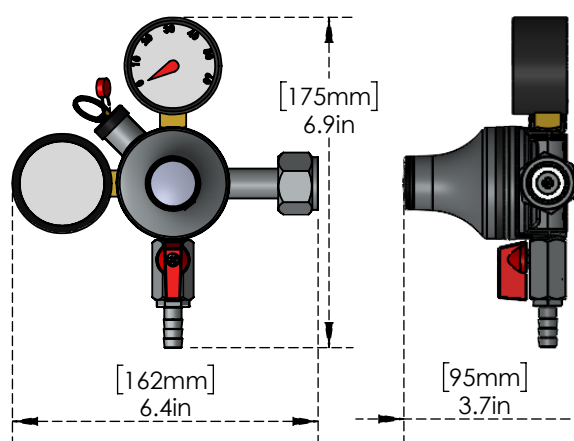
**Material:** Brass

**Finish:** Chrome Plated

#### Option Available:

Part No.	Part Name	Outlets
C2971 CV	Primary Precision Plus CO2 Regulator with Check Valve	1
C2972	Primary Precision Plus CO2 Regulator	2
C2961	Primary Wall Mount Precision Plus + CO2 Regulator	1
C2962	Primary Wall Mount Precision Plus+ CO2 Regulator	2

#### Dimensions:



US & Canada :- +1-678 666 2001

Krome product Specifications in U.S. customary units and metric are approximate and are provided for reference only. For precise measurements, please contact Krome Technical Service. Krome reserves the right to change or modify product design, construction, specifications, or materials without prior notice and without incurring any obligation to make such changes and modifications on Krome products previously or subsequently sold. For most updated specification sheet, go to [www.kromedispense.com](http://www.kromedispense.com)