

- Stainless Steel Construction.
- Comes with 3/4" x 14 BSP threads to mount on the dispenser
- Metal threaded nylon bonnet for easy removal and cleaning purposes.



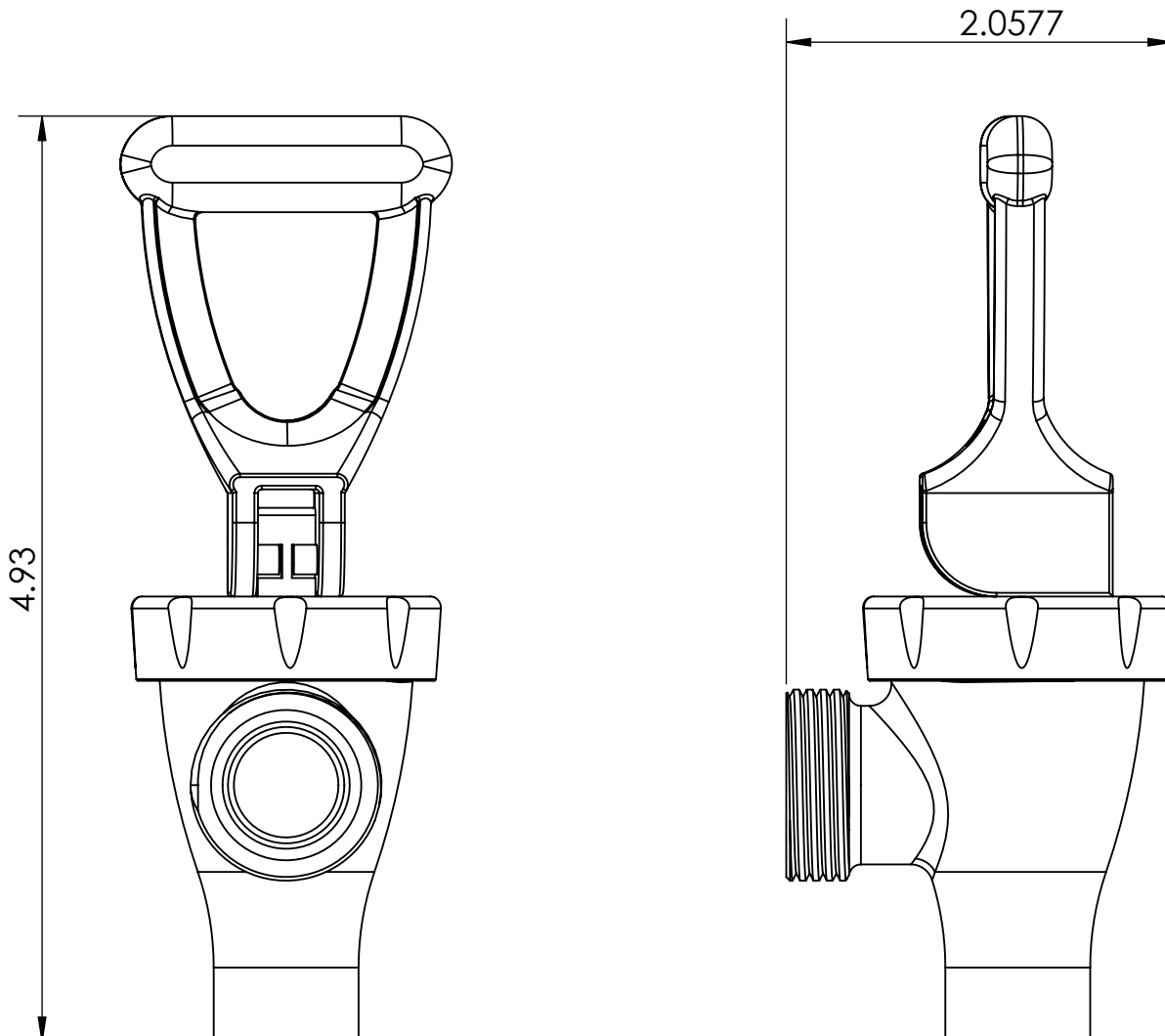
C3014

SS Polished

Options Available

Part No	Part Name
C3015	Standard Beverage Dispenser Tap – Polished Chrome

Product Dimensions:-



US & Canada :- +1-678 666 2001
Asia:- +91-9814203010

Krome Dispense reserves the right to make revisions to product specifications without any notice
For most updated specification sheet , go to www.kromedispense.com

