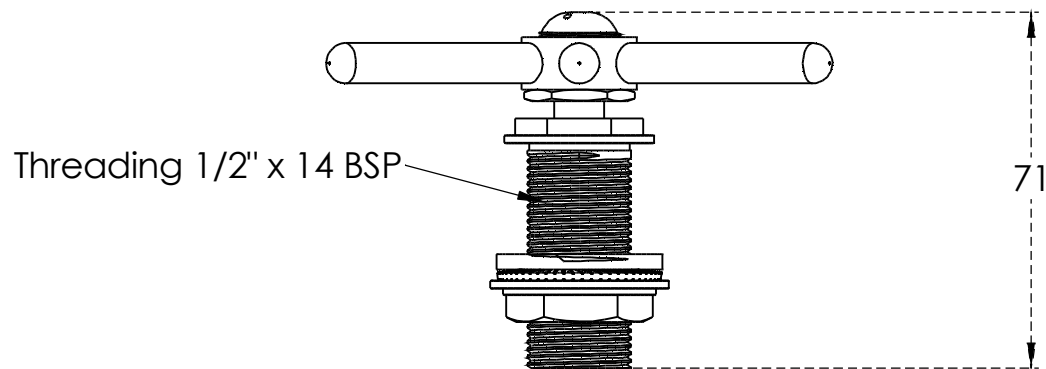
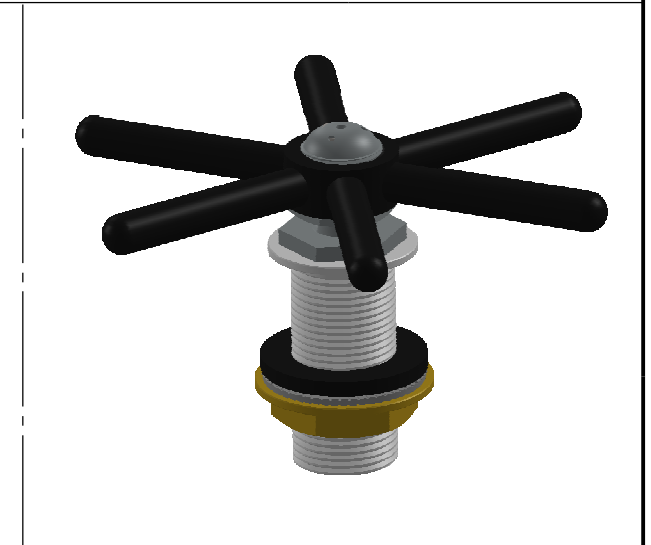
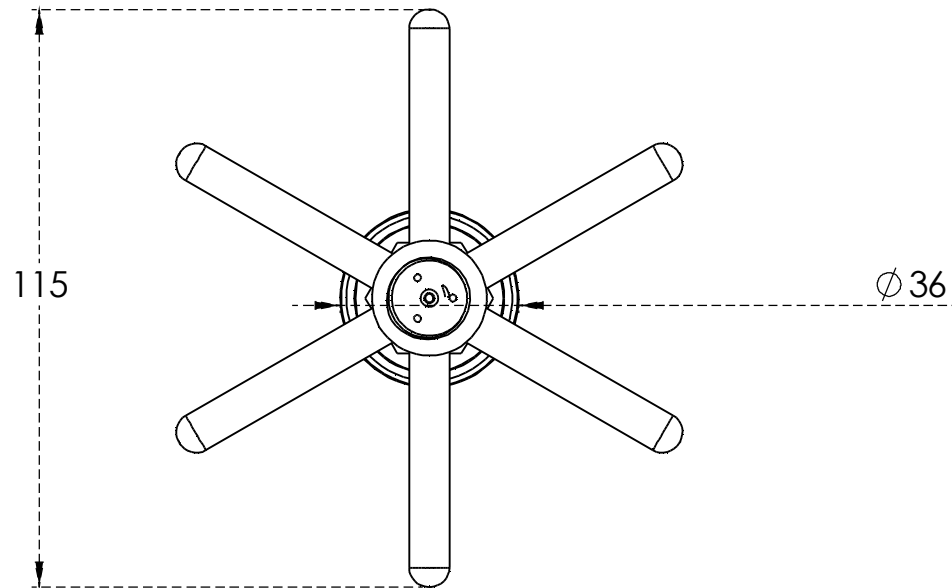


PART NO.-

C334.13 Line Drawing

TITLE-

Pitcher Rinser Spray Assembly Line Drawing



Note:- Information provided for reference only.

\* This document and the information thereon is the property of Krome Dispense Pvt Ltd. & its subsidiaries. Any reproduction in part or as a whole without the written permission of Krome Dispense Pvt Ltd. is prohibited.