

Features & Benefits:

- Upgraded model with improved valve, sprayer and star.
- Use in Flush mount and counter top
- Replaces all the sprayer parts of your rinser.
- Cold Water Use Only



C334.13

Chrome Plated

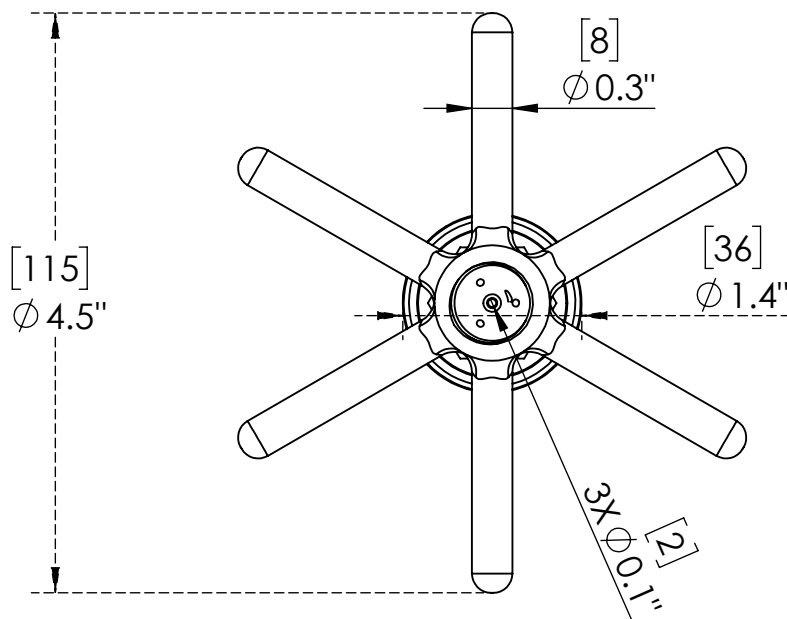
Warranty: 1 Year Limited



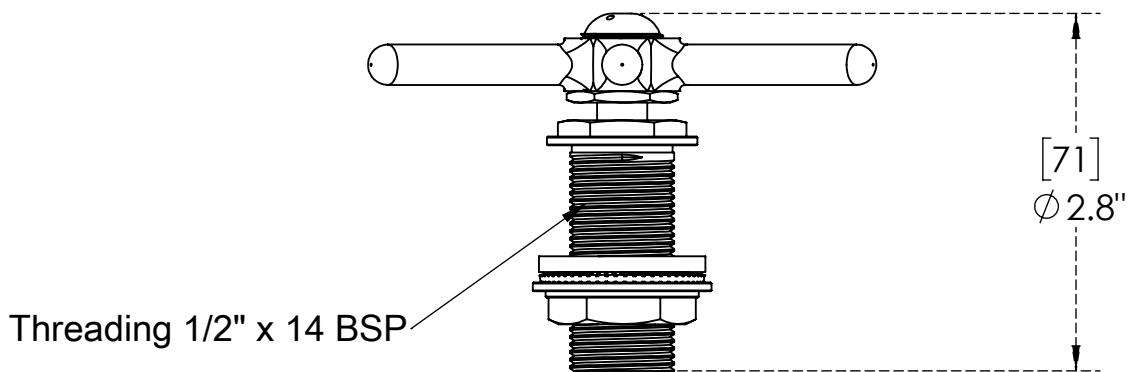
US & Canada :- +1-678 666 2001
Asia:- +91-9814203010

Krome Dispense reserves the right to make revisions to product specifications without any notice
For most updated specification sheet , go to www.kromedispense.com

Product Dimensions:



Top View



Front View

Options Available:

Part No	Part Name
C334	Counter Top Frothing Pitcher Rinser/Glass Rinser
C335	Flush-Mount Frothing Pitcher Rinser/Glass Rinser
C895	10" X 6" Bigger Pitcher Rinser – Flush Mount (Without Counter)
C662	10" x 6" Counter Top Bigger Pitcher Rinser - Brushed Stainless

US & Canada :- +1-678 666 2001
 Asia:- +91-9814203010

Krome Dispense reserves the right to make revisions to product specifications without any notice
 For most updated specification sheet , go to www.kromedispense.com

