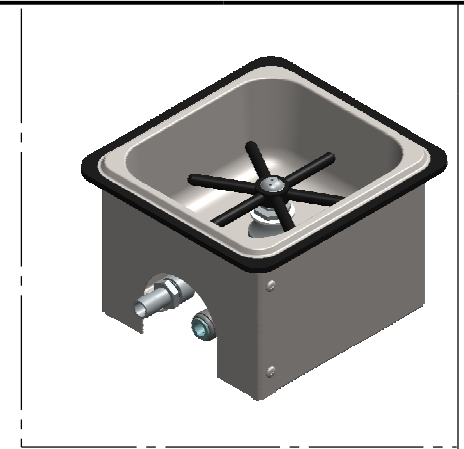
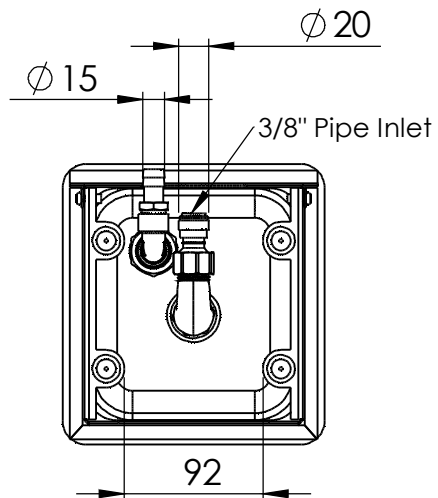
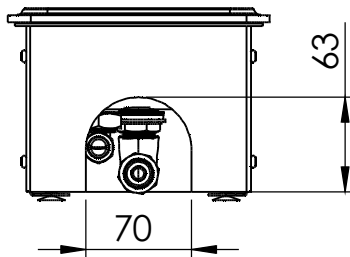


Top View

Press this Ringer Disk for functioning of Sprinkler



Front View



All Values Are Nominal

Released

Revision 01
Revision 1

PACIFIC	UNLESS OTHERWISE SPECIFIED: DIMENSIONS ARE IN MILLIMETERS		DIMENSIONS		Tolerance Dimension					
	SURFACE FINISH LIMIT: $\sqrt{1.6}$		ALL DIM. IN M.M.		0.5-3	>3-6	>6-30	>30-120	>120-400	>400-1000
TOLERANCES:		*		□	±0.05	±0.05	±0.1	±0.15	±0.2	±0.3
LINEAR:		**		□	±0.2	±0.3	±1	±1	±1	±1
ANGULAR:		***		∠	<±10	>±10-40	>±40-120	>±120-400	>±400	
					±1*	±0.3*	±0.2*	±0.1*	±0.5*	
The Information Contained in this drawing is the property of PACIFIC MERCHANTS and should not in any way divulged to any third party without the prior written consent of the company	DRAWN BY	Daljeet Singh	MATERIAL	-						
	DATE	:22-02-2018	SURFACE AREA	373099.38 mm ²						
	CHKD BY	:KS	VOLUME	250510.96mm ³						
	DATE	:22-02-2018	REVISION	:02						
	APPD. BY	:KS	FINISH	-						
	DATE	:22/02/2018	PART NO.	C334Line						
Density	0.01 g/mm ³	TITLE Picture Rinsor Assembly Line Drawing								
Drawing Weight	1501.27 g									
Actual Weight(g)	1453g									