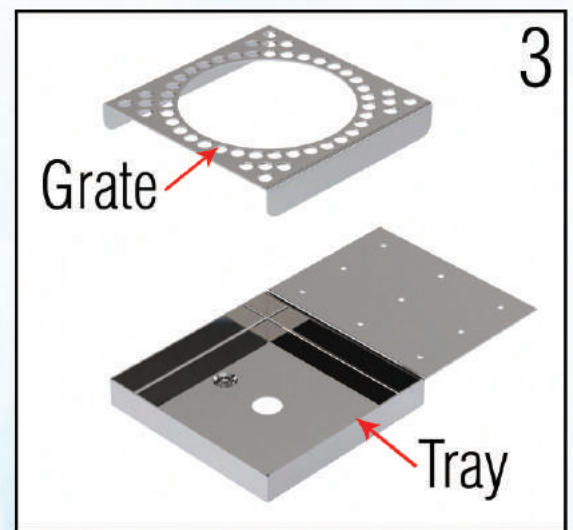
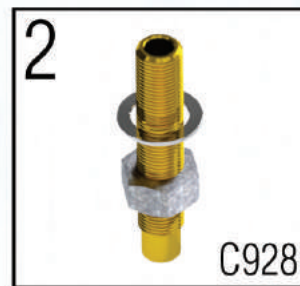


Manual Instruction

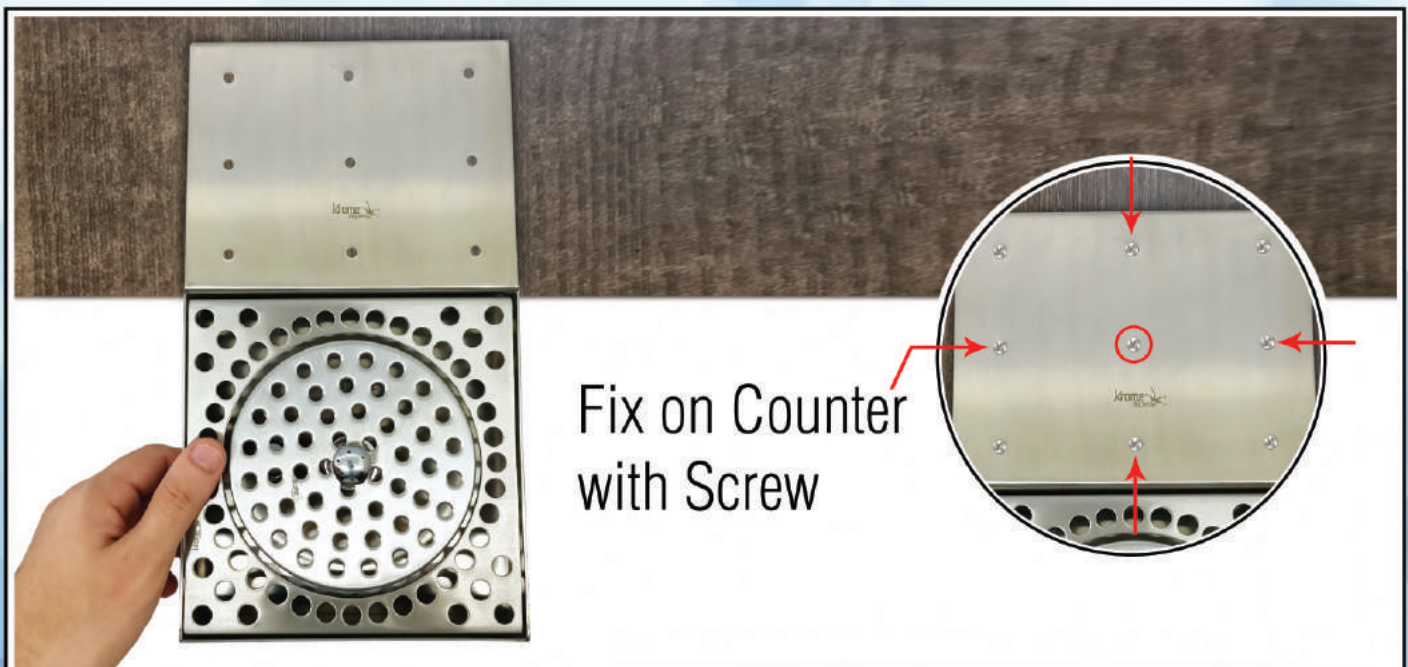
Glass Rinsing Drip Tray (C360)

① Part Included

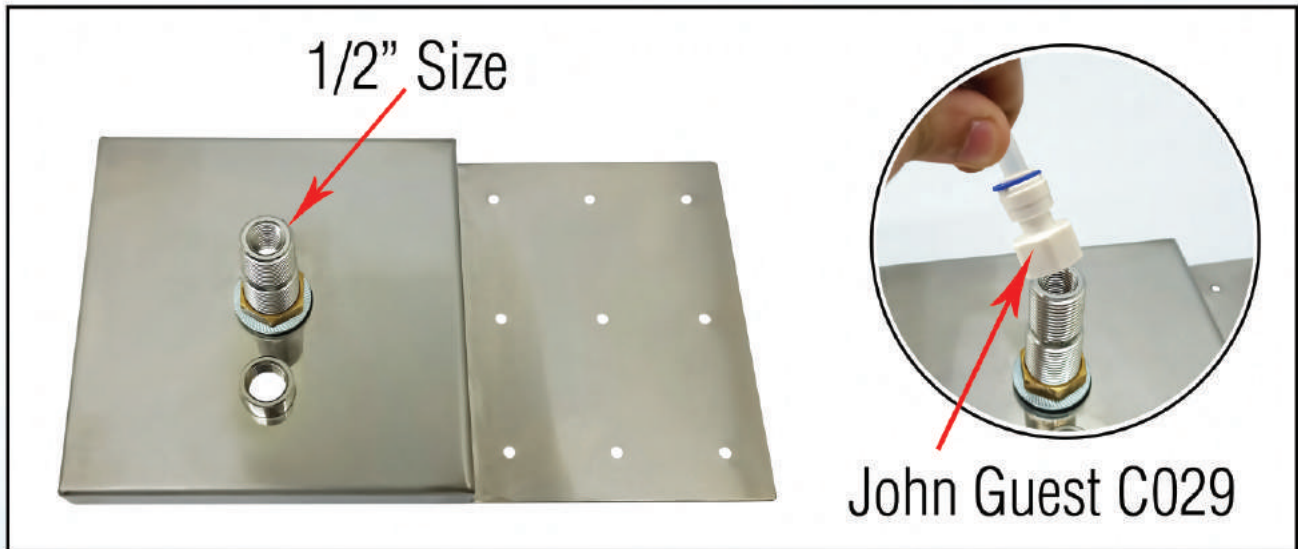
- 1) Glass Rinsing Spray Assembly-C4028.50
- 2) Standard Drain Assembly-C958
- 3) Glass Rinsing Tray and glass Rinsing Flat



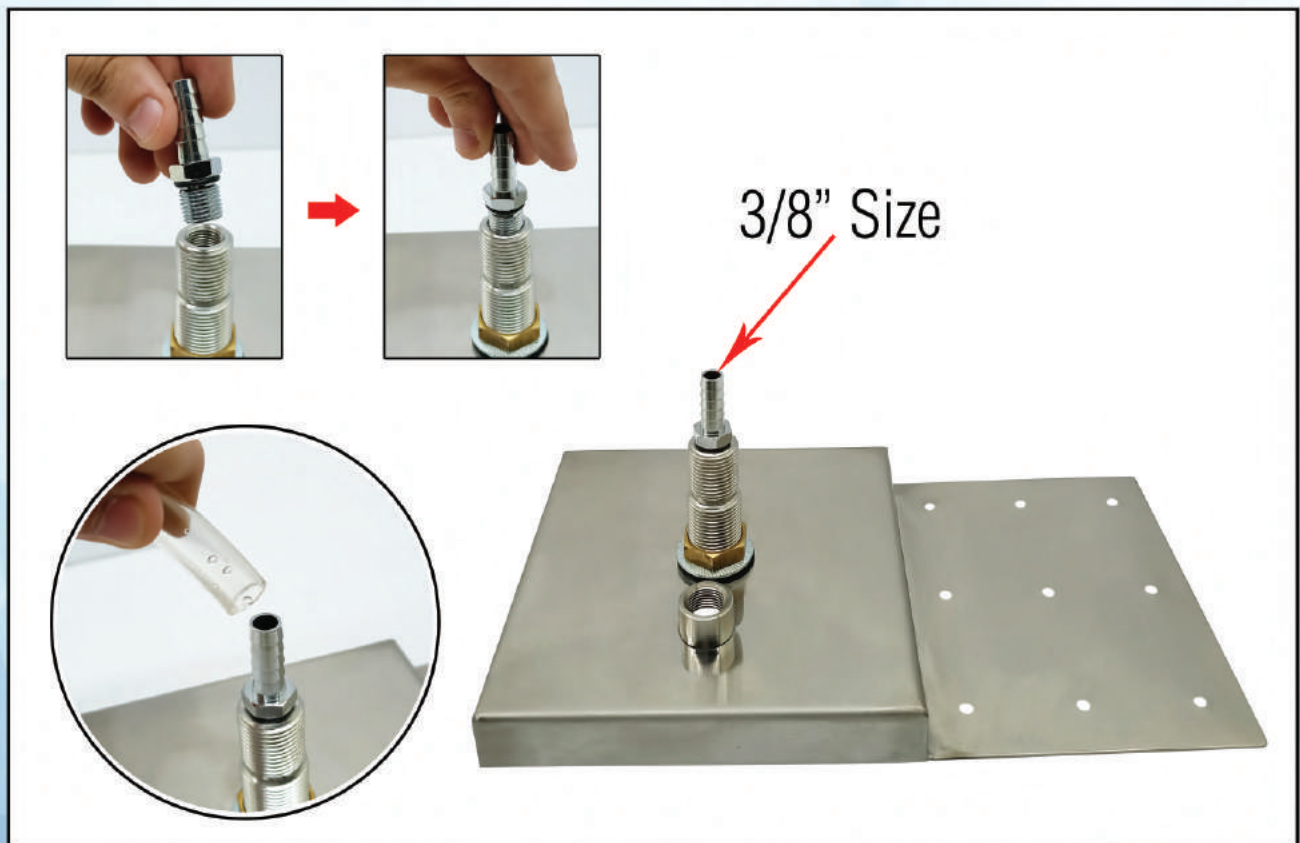
② Attach Stainless steel plate on Counter.



- ③ For water supply you can directly attach 1/2" pipe with water shank



Or



You can attach given Barb Nipple (C928) to connect 3/8" water pipe

④ Attach Standard Drain assembly on bottom of Glass Rinse Tray

