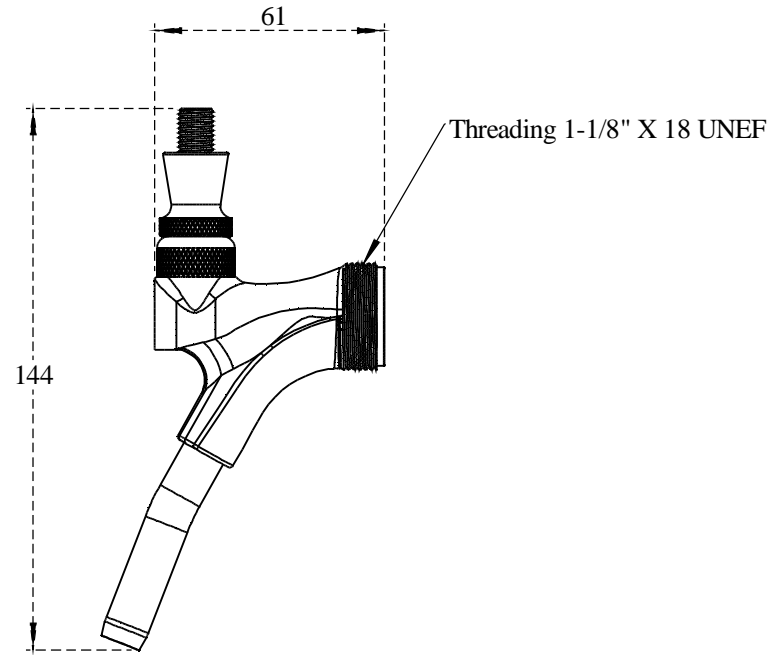
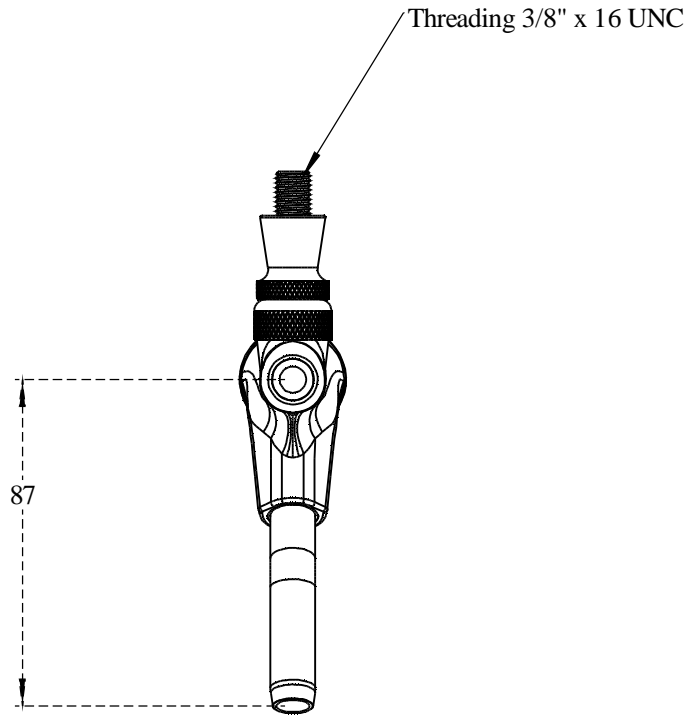


PART NO.-

C361Line

TITLE-

Edge Tap Line Drawing



show hidden items

**Note:-** Information provided for reference only.

All Dimensions are in mm