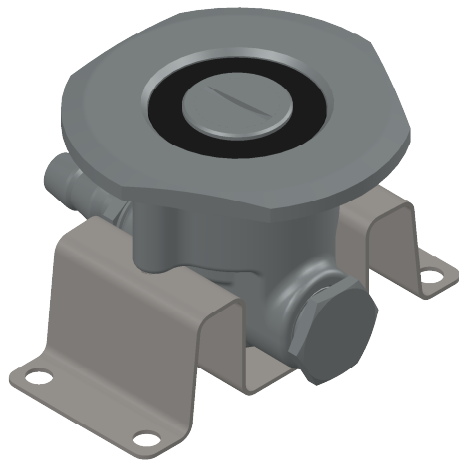
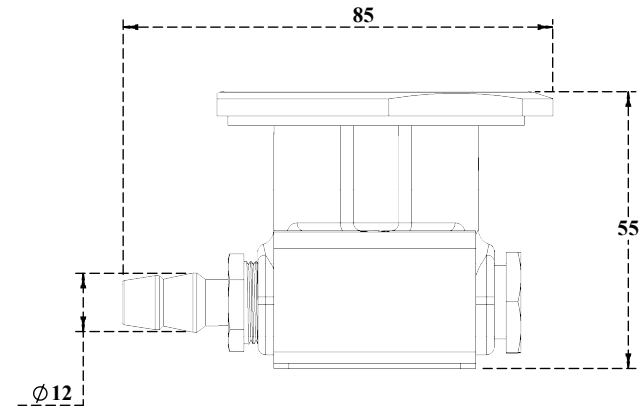
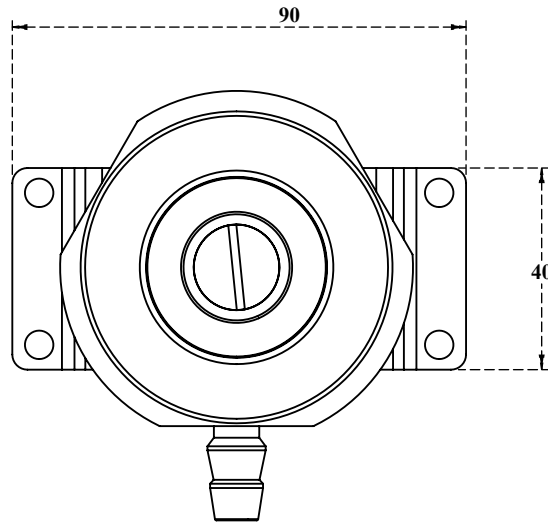


PART NO.-

C378Line

TITLE-

G System Cleaning Adaptor Line Drawing



Note:- Information provided for reference only.

* This document and the information thereon is the property of Krome Dispense Pvt Ltd. & its subsidiaries. Any reproduction in part or as a whole without the written permission of Krome Dispense Pvt Ltd. is prohibited.

All Dimensions are in mm