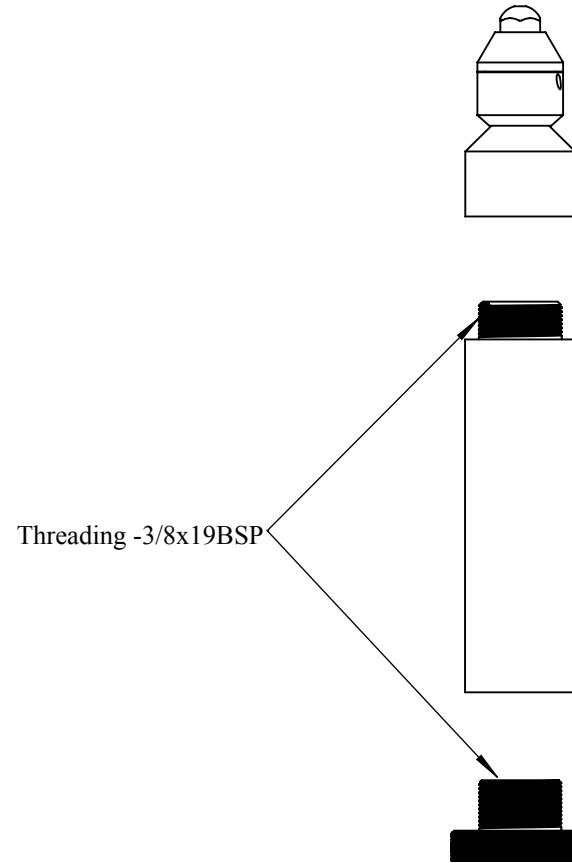
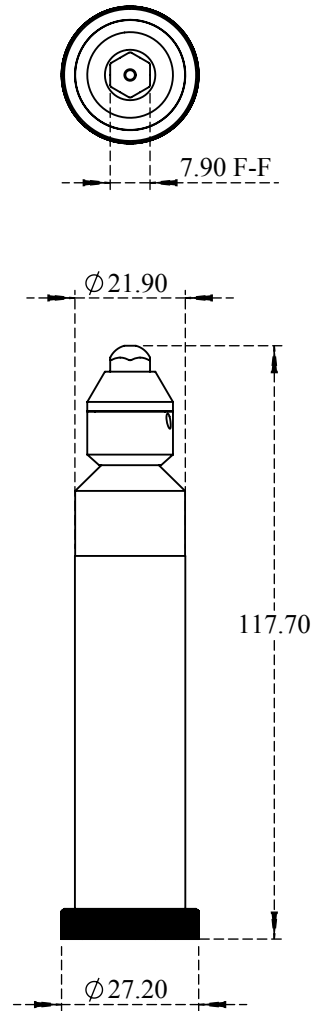


PART NO.-

C4037 Line Drawing

TITLE-

Krome Glass Rinser to Blender Rinser Conversion Kit with Spin-spray



**Note:-** Information provided for reference only.

\* This document and the information thereon is the property of Krome Dispense Pvt Ltd. & its subsidiaries. Any reproduction in part or as a whole without the written permission of Krome Dispense Pvt Ltd. is prohibited.