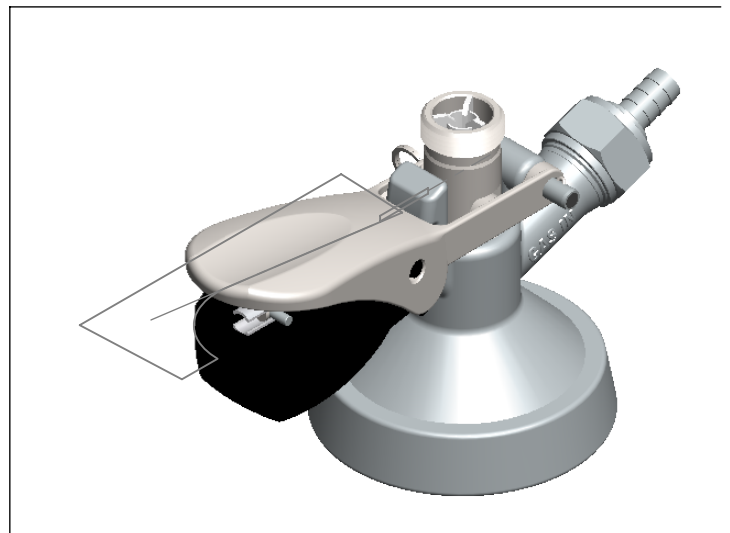
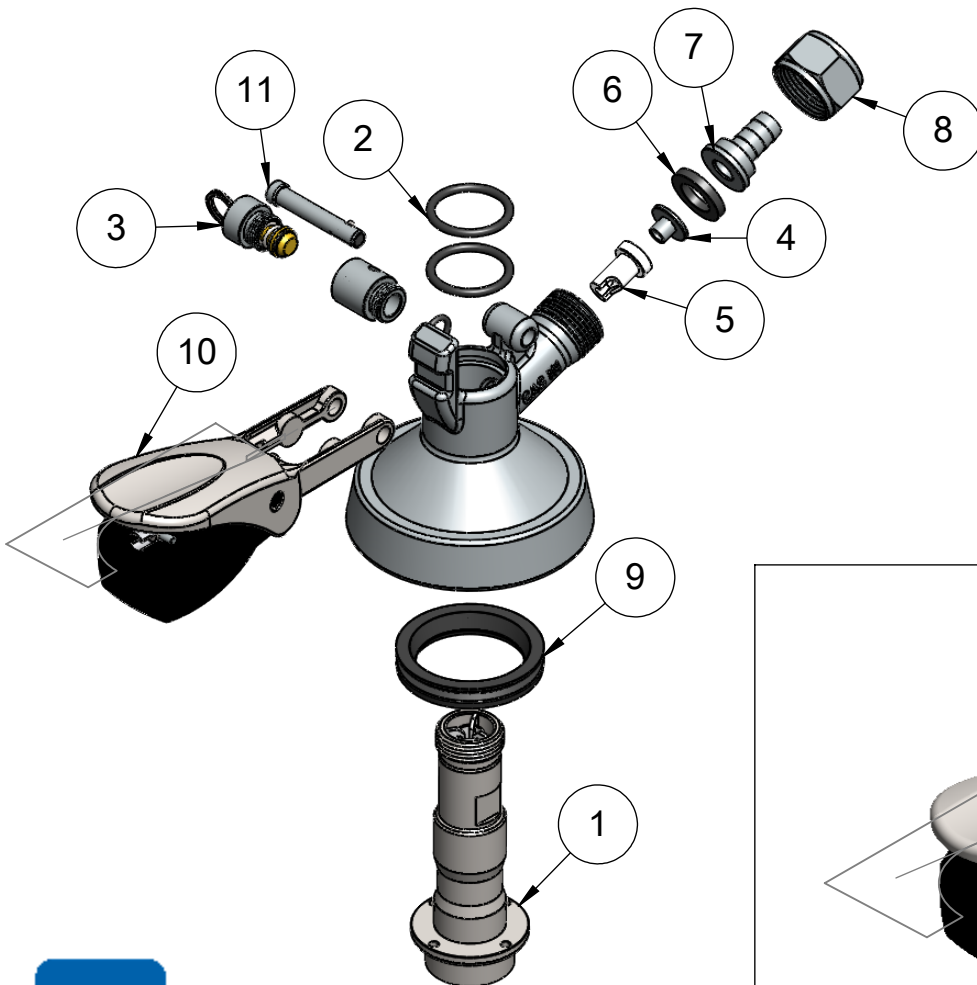


ItemNo.	Part No.	Part Name	Qty.
1	C5001.51	G System Probe and ball Retainer Sub- Assembly	1
2	C716.07	A System Body O-Ring	2
3	C712.13	PRV	1
4	C712.11	Retainer For U-System	1
5	C712.12	Duck Bill Valve For U-System	1
6	C116	Neoperene Washer	1
7	C103	Tailpiece 5/16"	1
8	C181	CHROME PLATED BRASS BEER HEX NUT	1
9	C716.03	A System Shanky Bottom washer	1
10	C2101.01	Eagle Handle	1
11	C712.14	Coupler Handle Pin	1

Revision # 01 --KS
Copyright © 2017 Krome Dispense. All Rights Reserved



US & Canada :- +1-678 666 2001
Asia:- +91-9814203010

Krome Dispense reserves the right to make revisions to product specifications without any notice
For most updated specification sheet , go to www.kromedispense.com