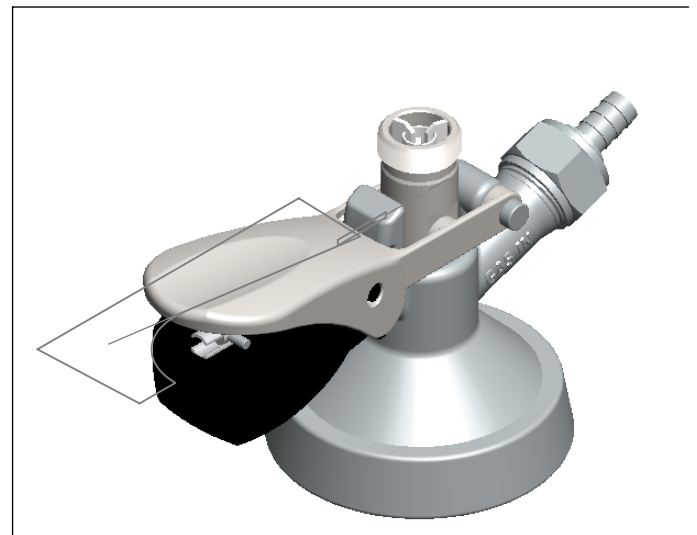
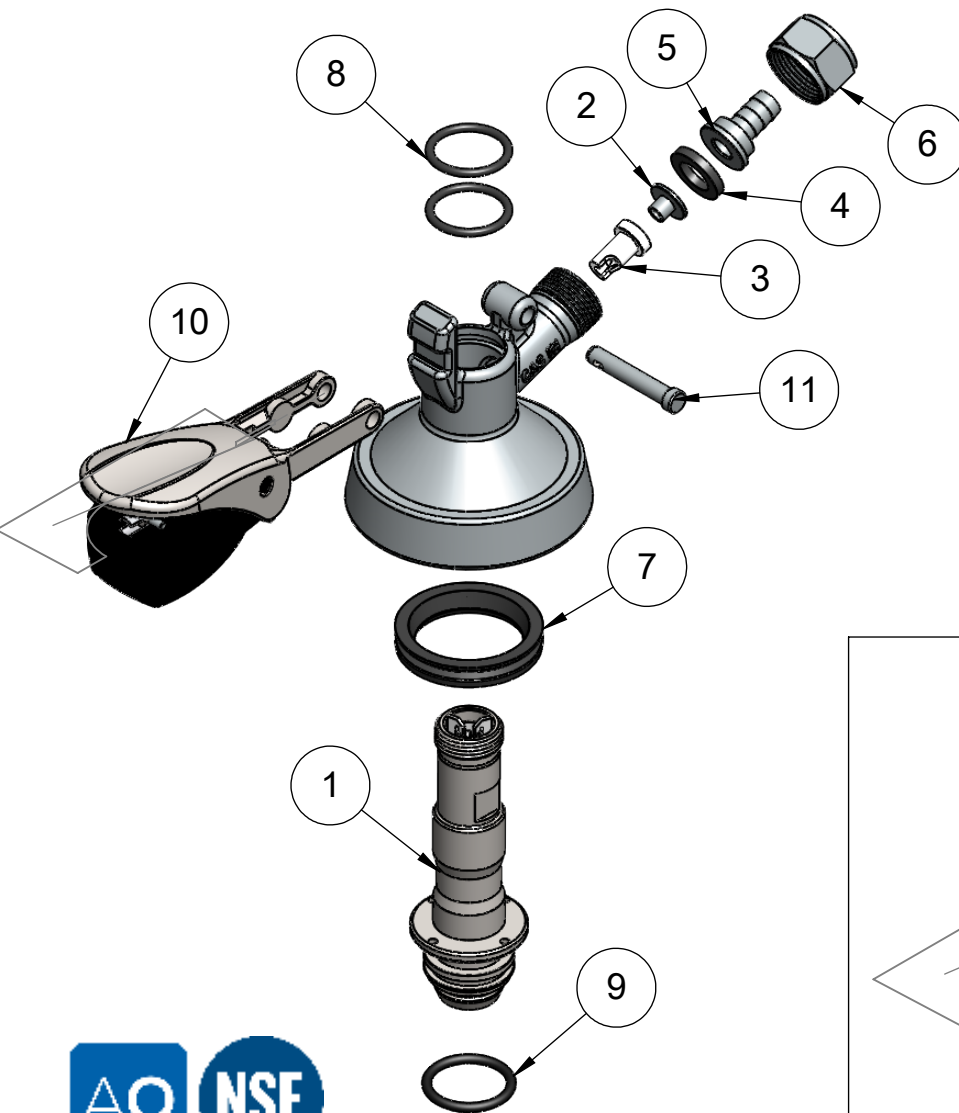


ItemNo.	Part No.	Part Name	Qty.
1	C5003.51	Key Keg Coupler Probe & Torpedo Sub-Assembly	1
2	C712.11	Retainer For U-System	1
3	C712.12	Duck Bill Valve For U-System	1
4	C116	Neoperene Washer	1
5	C103	Tailpiece 5/16"	1
6	C181	CHROME PLATED BRASS BEER HEX NUT	1
7	C716.03	A System Shanky Bottom washer	1
8	C716.07	A System Body O-Ring	2
9	C5003.03	Key Keg Coupler Probe O Ring	1
10	C2101.01	Eagle Handle	1
11	C712.14	Coupler Handle Pin	1



US & Canada :- +1-678 666 2001
 Asia:- +91-9814203010

Krome Dispense reserves the right to make revisions to product specifications without any notice
 For most updated specification sheet , go to www.kromedispense.com