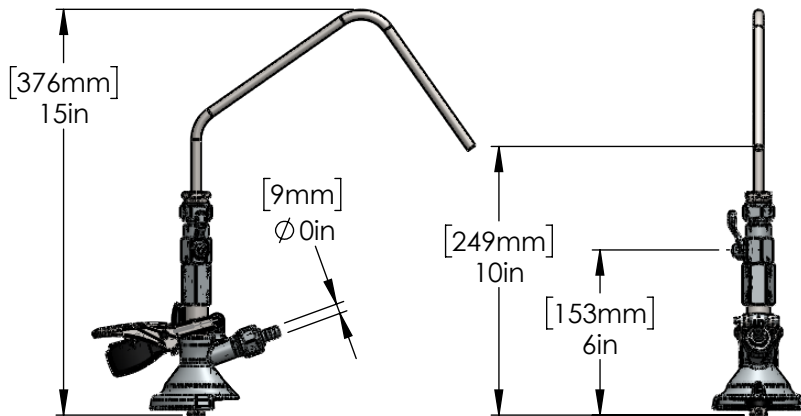


# For Residential and Commercial Applications

Job Name \_\_\_\_\_  
Job Location \_\_\_\_\_  
Engineer \_\_\_\_\_  
Approval \_\_\_\_\_

Contractor \_\_\_\_\_  
Approval \_\_\_\_\_  
Contractor's P.O. No. \_\_\_\_\_  
Representative \_\_\_\_\_

## Series Laboratory Dispense Head M System C5007



### Features & Benefits:

- SS narrow tube head for precise small samples.
- Coupler body made of Brass. Probe is of SS 304.
- Perfect for M system keg.
- Has no Pressure Relief Valve.

**Material:** Lead free Brass

**Warranty:** Two year (Limited)

### Specifications:

- Body Material Brass
- Probe Material Stainless Steel 304
- Probe Thread 5/8" BSP
- PRV - Pressure Release Valve Without PRV
- Type M System

### NOTICE

The information contained herein is not intended to replace the full product installation and safety information available or the experience of a trained product installer. You are required to thoroughly read all installation instructions and product safety information before beginning the installation of this product.

**Krome**  
dispense

US & Canada :- +1-678 666 2001

Krome product Specifications in U.S. customary units and metric are approximate and are provided for reference only. For precise measurements, please contact Krome Technical Service. Krome reserves the right to change or modify product design, construction, specifications, or materials without prior notice and without incurring any obligation to make such changes and modifications on Krome products previously or subsequently sold. For most updated specification sheet, go to