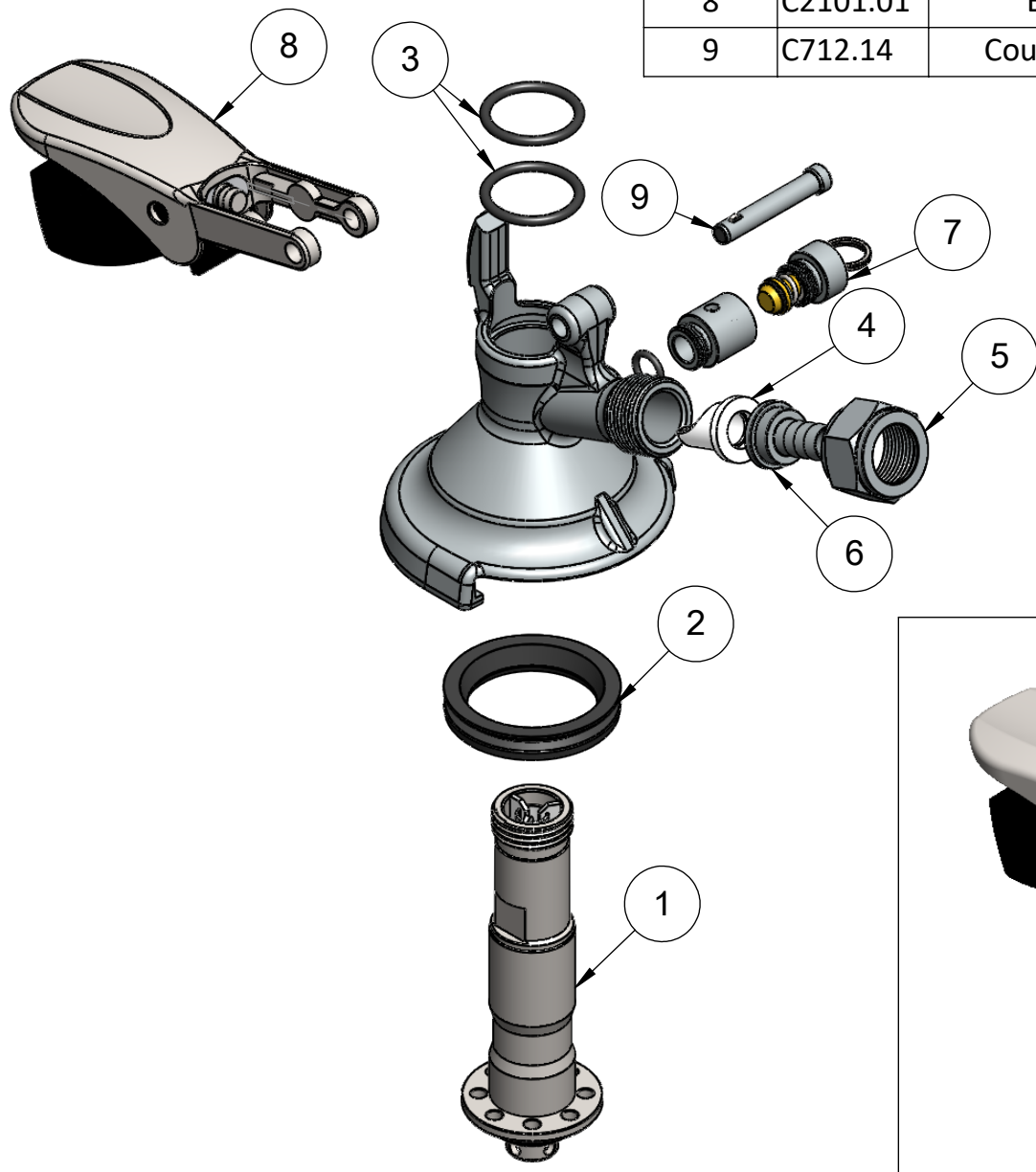


M System with Chrome Plated Brass Body & Stainless Steel Probe
C5013

ItemNo.	Part No.	Part Name	Qty.
1	C5004.50	M Coupler Probe & Torpedo Sub-Assembly	1
2	C716.03	A System Shanky Bottom washer	1
3	C716.07	A System Body O-Ring	2
4	C704.08	Check Valve	1
5	C181	CHROME PLATED BRASS BEER HEX NUT	1
6	C103	Tailpiece 5/16"	1
7	C712.13	PRV	1
8	C2101.01	Eagle Handle	1
9	C712.14	Coupler Handle Pin	1



Copyright © 2017 Krome Dispense. All Rights Reserved. Revision # 01 - -

US & Canada :- +1-678 666 2001
Asia:- +91-9814203010

Krome Dispense reserves the right to make revisions to product specifications without any notice
For most updated specification sheet , go to www.kromedispense.com