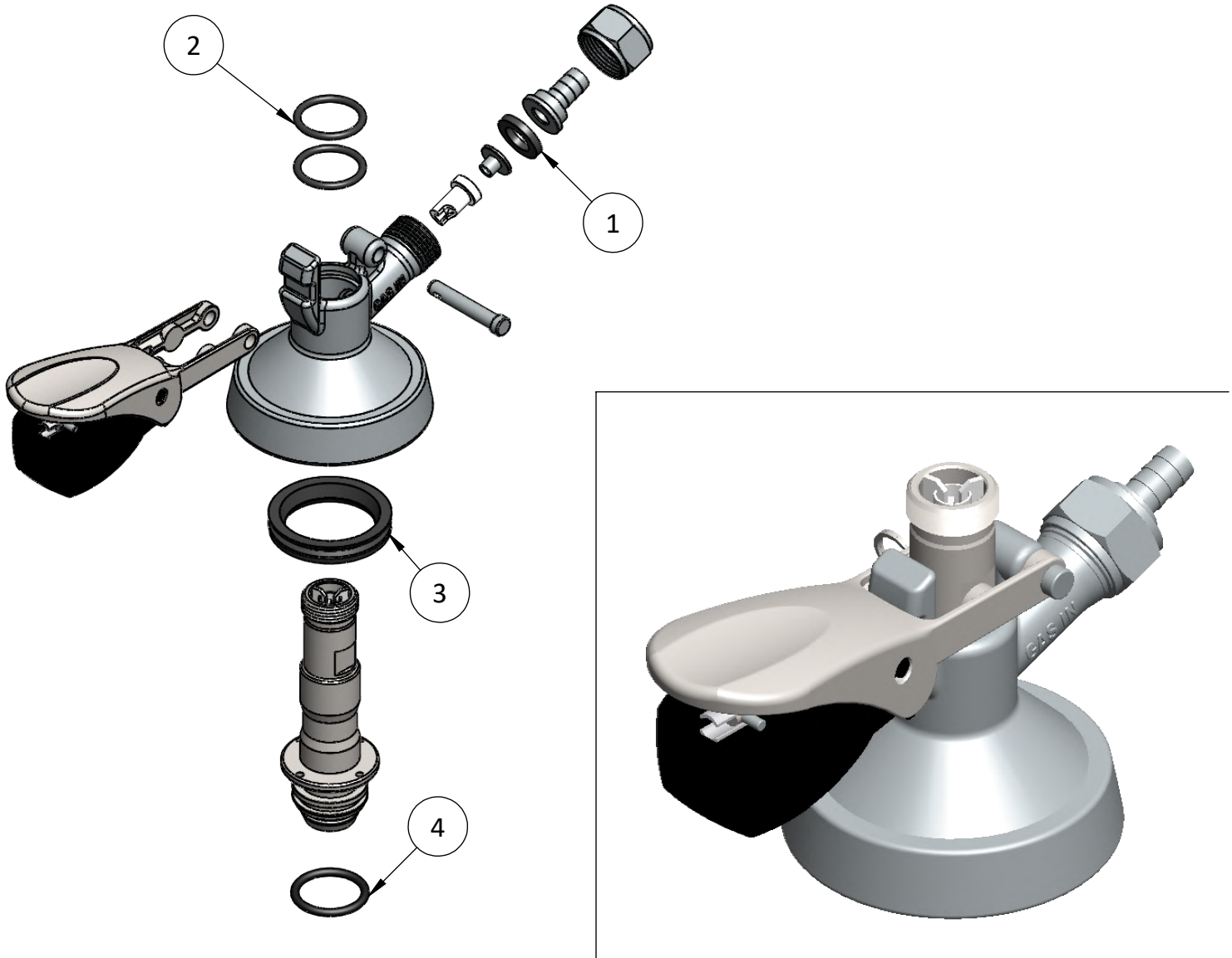


ItemNo.	Part No.	Part Name	Qty.
1	C116	Neoperene Washer	1
2	C716.07	A System Body O-Ring	2
3	C716.03	A System Shanky Bottom washer	1
4	C5003.03	Key Keg Coupler Probe O Ring	1
5	C5003.50	Key Keg Coupler Subassembly	1
6	C5003.51	Key Keg Coupler Probe & Torpedo Sub-Assembly	1
7	C712.11	Retainer For U-System	1
8	C712.12	Duck Bill Valve For U-System	1
9	C103	Tailpiece 5/16"	1
10	C181	CHROME PLATED BRASS BEER HEX NUT	1
11	C2101.01	Eagle Handle	1
12	C712.14	Coupler Handle Pin	1



Revision # -
Copyright © 2017 Krome Dispense. All Rights Reserved

US & Canada :- +1-678 666 2001
Asia:- +91-9814203010

Krome Dispense reserves the right to make revisions to product specifications without any notice
For most updated specification sheet , go to www.kromedispense.com