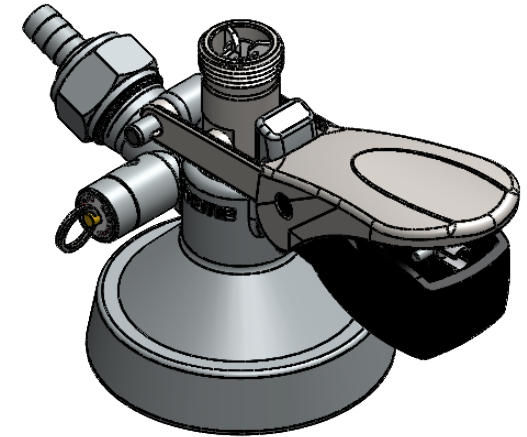
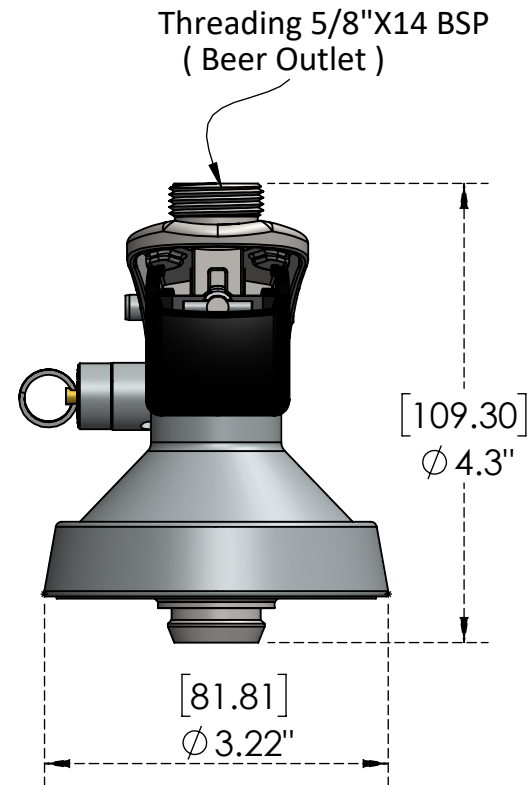
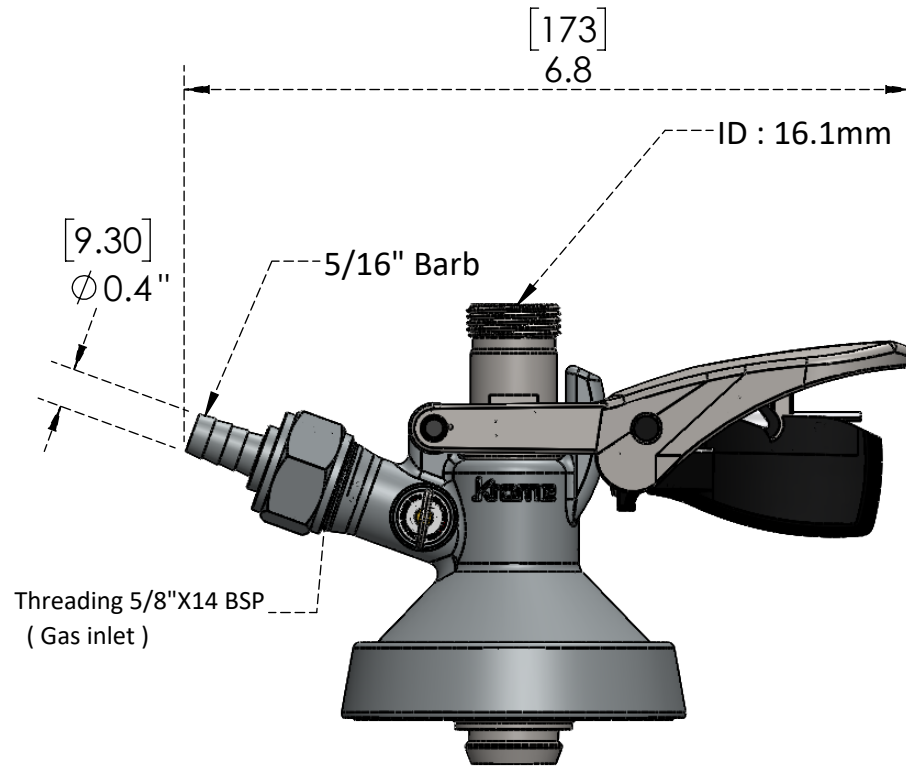


PART NO.-

C5017 TDS

TITLE-

Key Keg Coupler with PRV – 5/8" Thread



Threading 5/8"X14 BSP  
( Gas inlet )

**Krome**  
dispense

**Note:-** Information provided for reference only.

\* This document and the information thereon is the property of Krome Dispense Pvt Ltd. & its subsidiaries. Any reproduction in part or as a whole without the written permission of Krome Dispense Pvt Ltd. is prohibited.

All dimensions are in inches, mm (in bracket)