

**Features & Benefits:**

- Brass body improves durability, offers you long lasting performance
- With New Eagle Handle, Sturdy Design work more comfortable for operators
- Solid Stainless Steel 304 Probe, resistance to chemicals
- Designed for Key Kegs

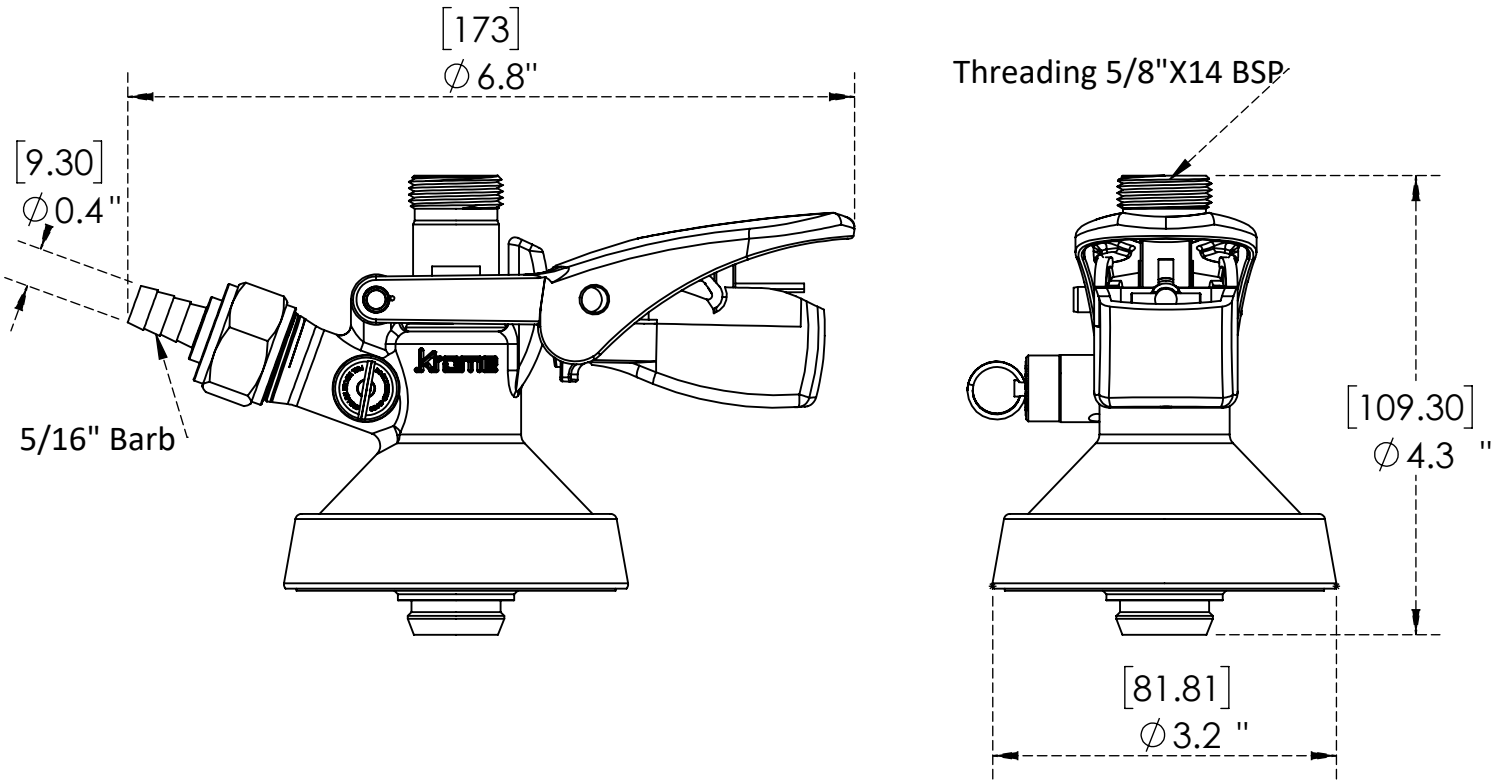


**C5017**

Chrome Plated

**Warranty: Two Years (Limited)**

## Product Dimensions:-



## Options Available

Part Number	Material	Probe Thread	Gas-in	PRV
C5003	Brass	Threading 5/8"X14 BSP	5/16" Barb	No
C5016	Brass	Threading 1/2"X14 BSP	Threading 1/2"X14 BSP	No

US & Canada :- +1-678 666 2001

Asia:- +91-9814203010

Krome Dispense reserves the right to make revisions to product specifications without any notice

For most updated specification sheet , go to [www.kromedispense.com](http://www.kromedispense.com)

