

## For Residential and Commercial Applications

Job Name \_\_\_\_\_ Contractor \_\_\_\_\_

Job Location \_\_\_\_\_ Approval \_\_\_\_\_

Engineer \_\_\_\_\_ Contractor's P.O. No. \_\_\_\_\_

Approval \_\_\_\_\_ Representative \_\_\_\_\_

### Beer Taps

#### Premium Nitrogen Primary Regulator – CGA thread C5610

##### Features & Benefits:

Controls nitrogen for a single keg and has an inlet nipple flow control filter.

Tank gauge measures pressure from 0-3000 PSI, while the output gauge measures pressure between 0-120 PSI.

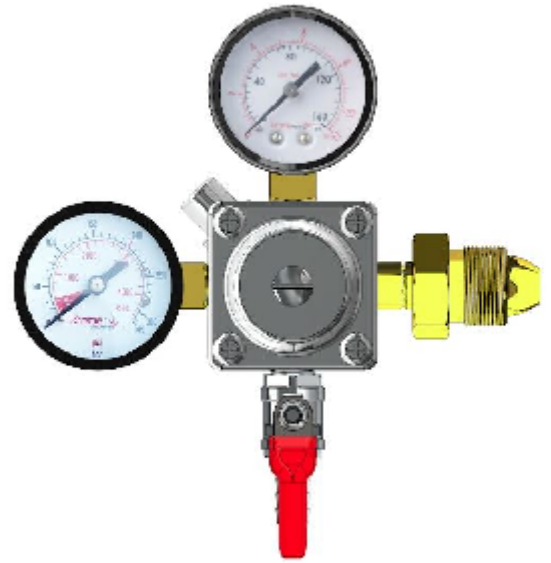
Die cast construction with forged brass.

Installs using CGA-580 threads onto a nitrogen tank.

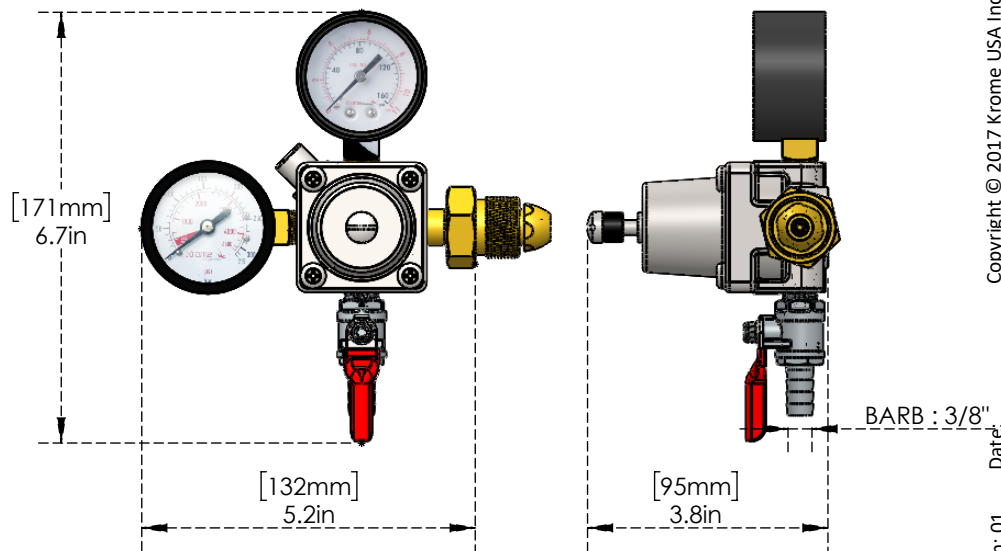
A pressure relief valve that releases at 115–125 PSI ensures safety.

For use in wine or gas blender applications.

3/8" outlet barb with shut-off.



##### Dimensions:



**Material:** Brass

**Finish:** Chrome Plated

##### Option Available:

Part No.	Part Name	Type
C871	Precision Co2 Regulator	1
C073	Precision Secondary CO2 Regulator	1
C5613	Economy CO2 Beer Regulator	1
C5614	Precision CO2 Regulator – CGA 320	2

US & Canada :- +1-678 666 2001

Krome product Specifications in U.S. customary units and metric are approximate and are provided for reference only. For precise measurements, please contact Krome Technical Service. Krome reserves the right to change or modify product design, construction, specifications, or materials without prior notice and without incurring any obligation to make such changes and modifications on Krome products previously or subsequently sold. For most updated specification sheet, go to [www.kromedispense.com](http://www.kromedispense.com)