

For Residential and Commercial Applications

Job Name _____	Contractor _____
Job Location _____	Approval _____
Engineer _____	Contractor's P.O. No. _____
Approval _____	Representative _____

Gas Equipment

Precision Primary CO2 Regulator – 1 Outlet

C5613

Features & Benefits:

- Made of high-quality durable forged brass material.
- 0-90 PSI and inlet gauge pressure 0-4500 PSI.
- 5/16" Barb
- Also applied to a variety of other gases, such as CO2, Nitrogen
- 5/16" Barb and JG Fitting (option)

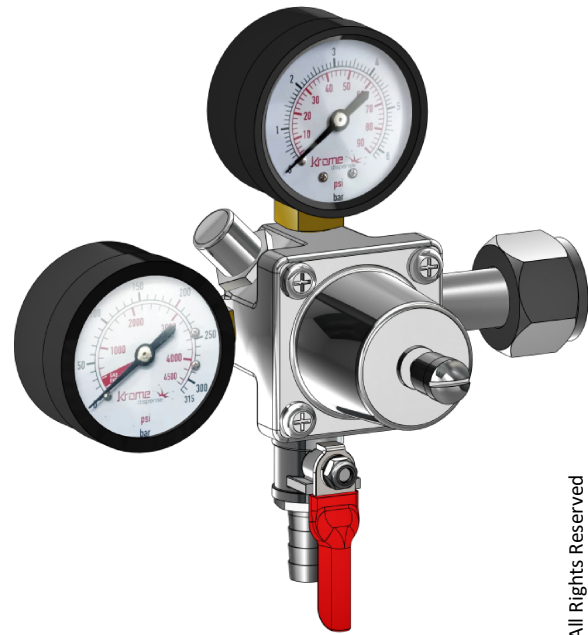
Performance :

- **Inlet Gauge Pressure - 0-4500 PSI**
- **Outlet Gauge Pressure - 0-90 PSI**
- **BARB Size - 5/16"**
- **Inlet Connection - CGA 320**
- **PRV - W/ PRV**
- **GAS Type - CO2**

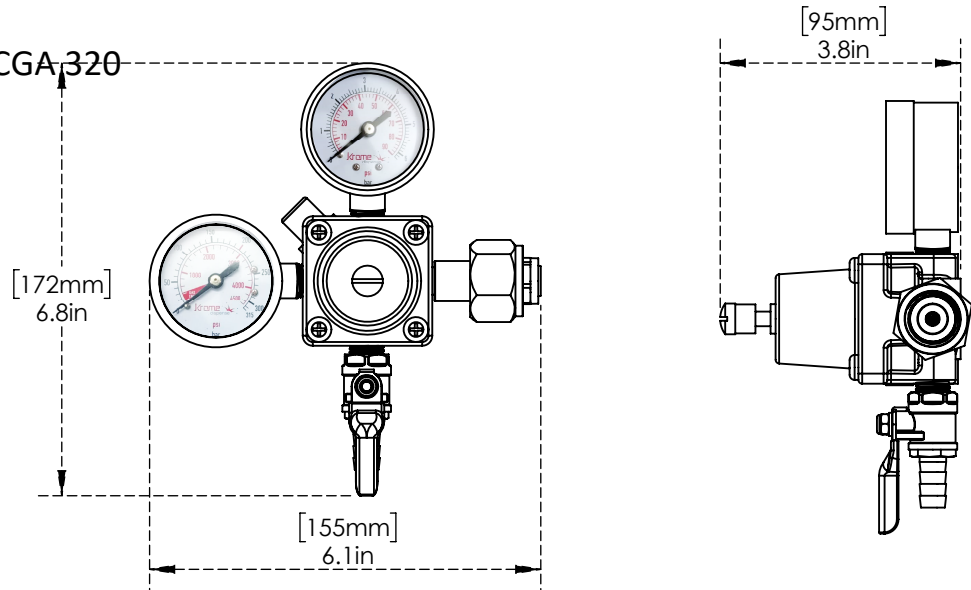
Material: Brass

Finish: Chrome Plated

Option Available:



Dimensions:



Part No.	Part Name	Outlet
C5614	Economy CO2 Beer Regulator -2 Outlet CGA 320	2

US & Canada :- +1-678 666 2001

Krome product Specifications in U.S. customary units and metric are approximate and are provided for reference only. For precise measurements, please contact Krome Technical Service. Krome reserves the right to change or modify product design, construction, specifications, or materials without prior notice and without incurring any obligation to make such changes and modifications on Krome products previously or subsequently sold. For most updated specification sheet, go to www.kromedispense.com