

For Residential and Commercial Applications

Job Name _____ Contractor _____

Job Location _____ Approval _____

Engineer _____ Contractor's P.O. No. _____

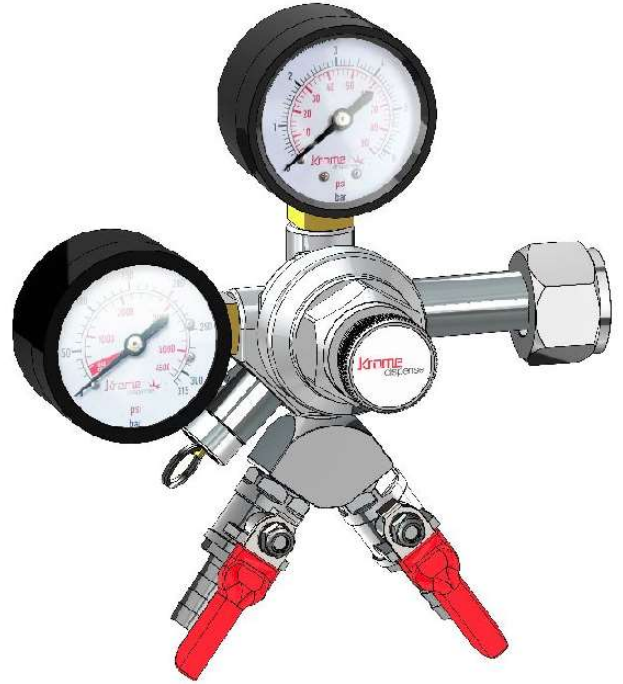
Approval _____ Representative _____

Beer Taps

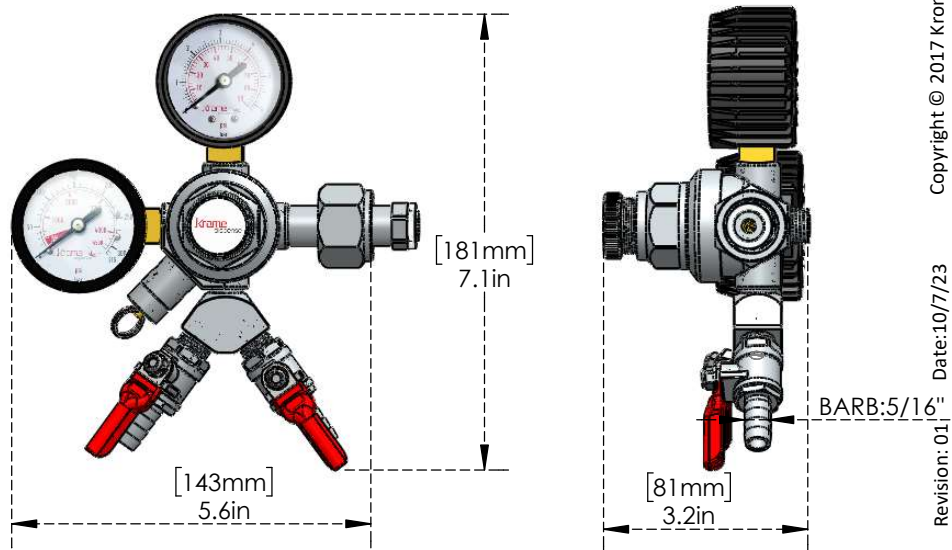
Economy CO2 Beer Regulator -2 Outlet CGA 320 C5614-Eco

Features & Benefits:

- Adjust pressure from 0 to 90 PSI.
- Made of high quality machined Forged brass and can use with a variety of gases.
- metal gauges of better quality and durability
- It made to dispense 1 Beverage
- Modification-proof adjustment screw and bonnet.
- CO2 connection expanded for high volume
- The needs of the most active pubs and restaurants are satisfied by commercial grade design.
- 5/16" Barb and JG Fitting (option)



Dimension :



Performace :

- Outlet Connection - 0-90 PSI
- Inlet Connection - 0-4500 PSI
- Valve Type - 5/16" Barb
- PRV - With PRV
- GAS Type - CO2

Material : Brass

Finish: Chrome Plated

Option Available:

Part No.	Part Name	Outlet
C5613	Precision Primary CO2 Regulator – 1 Outlet	1

US & Canada :- +1-678 666 2001

Krome product Specifications in U.S. customary units and metric are approximate and are provided for reference only. For precise measurements, please contact Krome Technical Service. Krome reserves the right to change or modify product design, construction, specifications, or materials without prior notice and without incurring any obligation to make such changes and modifications on Krome products previously or subsequently sold. For most updated specification sheet, go to www.kromedispense.com