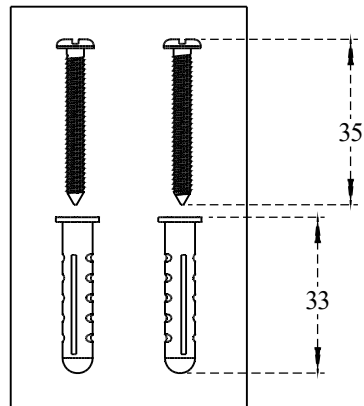
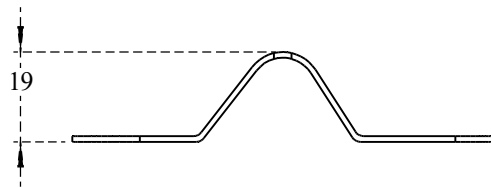
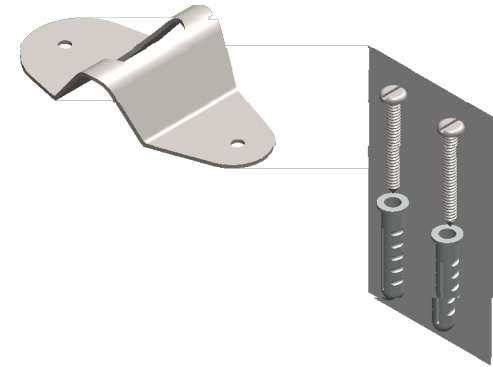
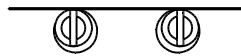
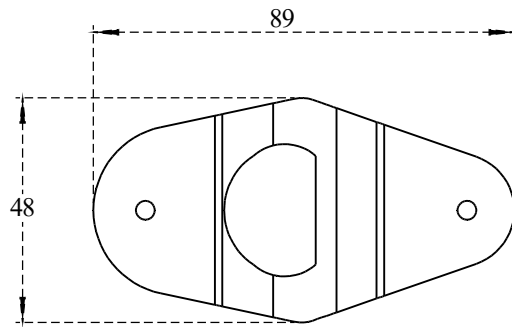


PART NO.-

C571 Line

TITLE- Wall Mount Bottle Opener (with Exposed Screws) Line  
Dwg



All dimensions are in mm



Note:- Information provided for reference only.

\* This document and the information thereon is the property of Krome Dispense Pvt Ltd. & its subsidiaries. Any reproduction in part or as a whole without the written permission of Krome Dispense Pvt Ltd. is prohibited.