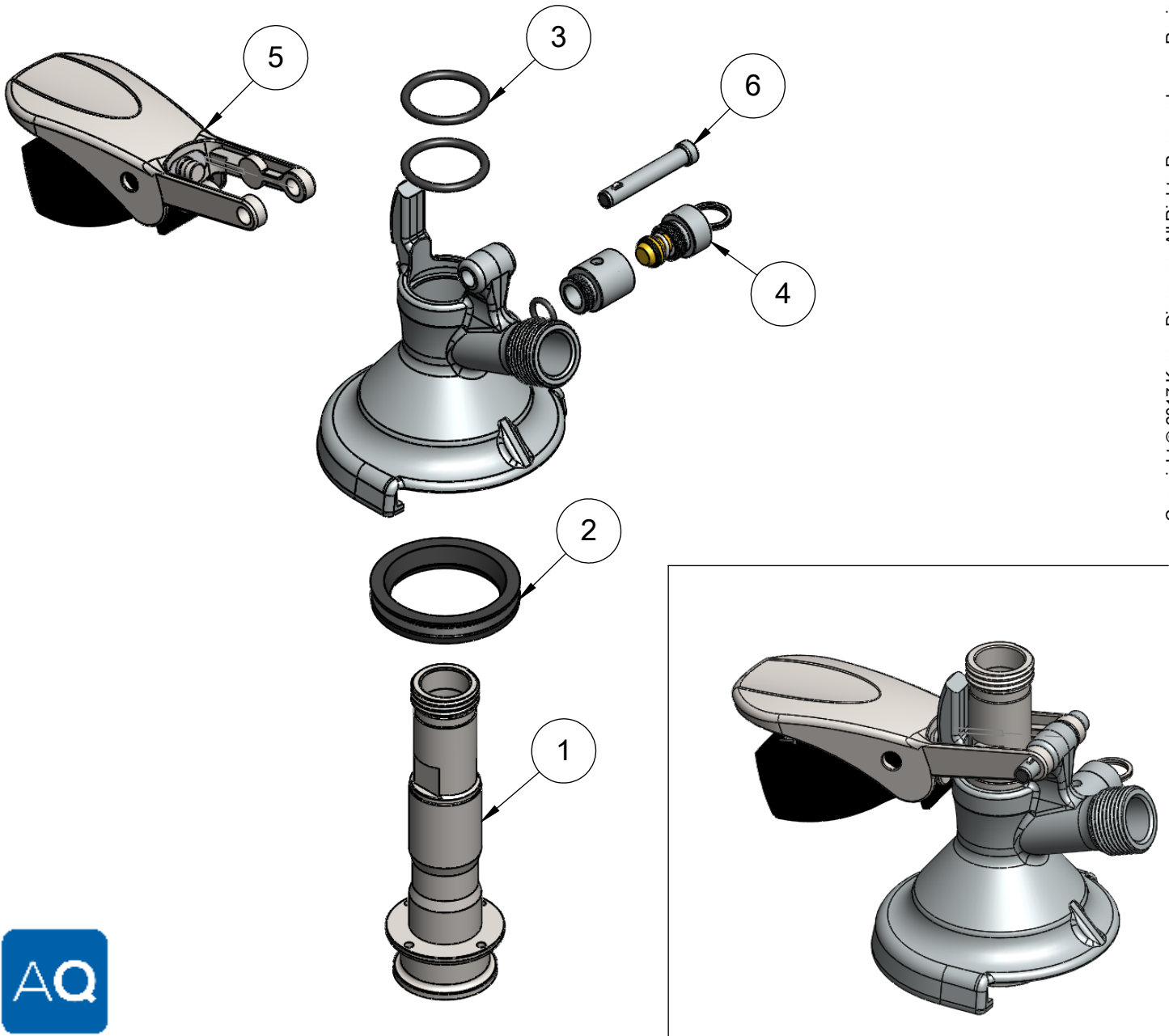


ItemNo.	Part No.	Part Name	Qty.
1	C6003.01	A System Probe Assembly-16 holes	1
2	C716.03	A System Shanky Bottom washer	1
3	C716.07	A System Body O-Ring	2
4	C712.13	PRV	1
5	C2101.01	Eagle Handle	1
6	C712.14	Coupler Handle Pin	1



Copyright © 2017 Krome Dispense. All Rights Reserved. Revision # 01 -



US & Canada :- +1-678 666 2001  
 Asia:- +91-9814203010

Krome Dispense reserves the right to make revisions to product specifications without any notice  
 For most updated specification sheet , go to [www.kromedispense.com](http://www.kromedispense.com)