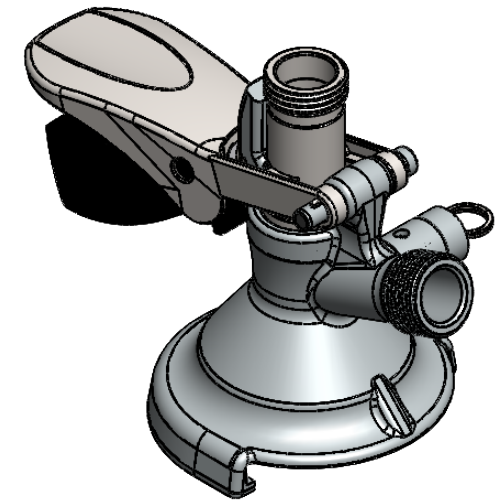
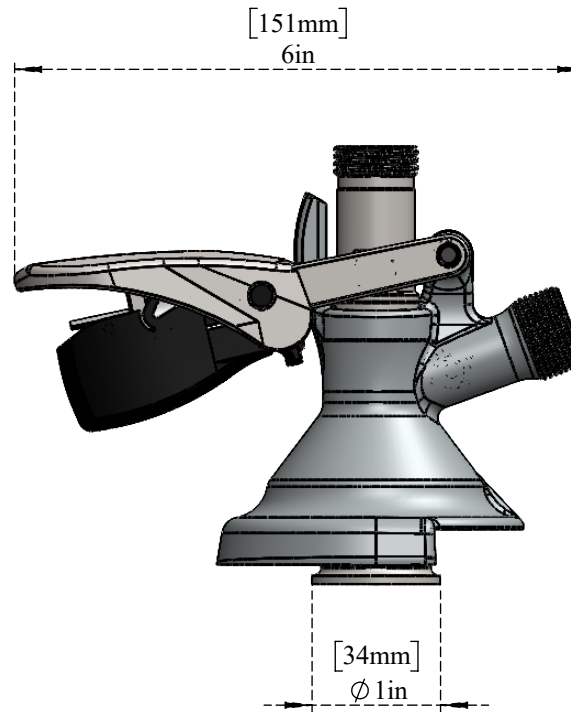
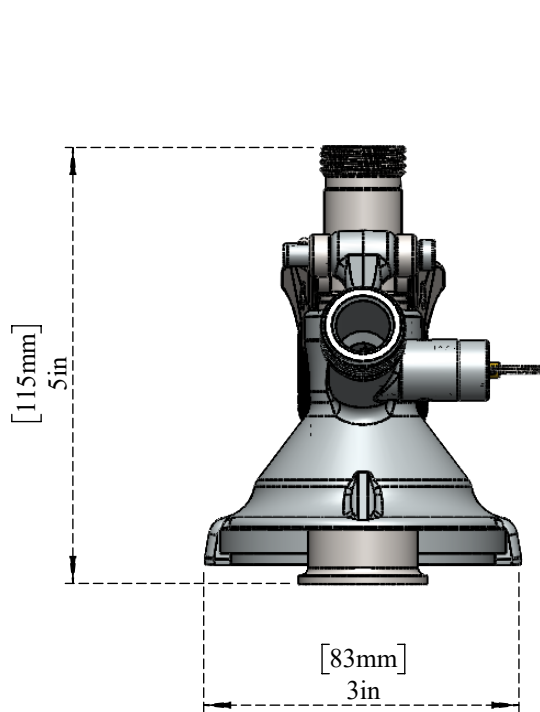


**PART NO.-**

**C6003 Line Drawing**

**TITLE-**

**A System with Chrome Plated Brass Body ; Stainless Steel Probe**



All dimensions are in inches, mm (in bracket)

<b>Krome</b> dispense	<b>Note:-</b> Information provided for reference only.
* This document and the information thereon is the property of Krome Dispense Pvt Ltd. & its subsidiaries. Any reproduction in part or as a whole without the written permission of Krome Dispense Pvt Ltd. is prohibited.	