

- Brass body improves durability, offers you long lasting performance
- Solid Stainless Steel 304 Probe , resistance to chemicals
- Features a 60-psi pressure relief valve
- Fits A System Keg Valves
- With New Eagle Handle, Sturdy Design work more comfortable for operators



C6003

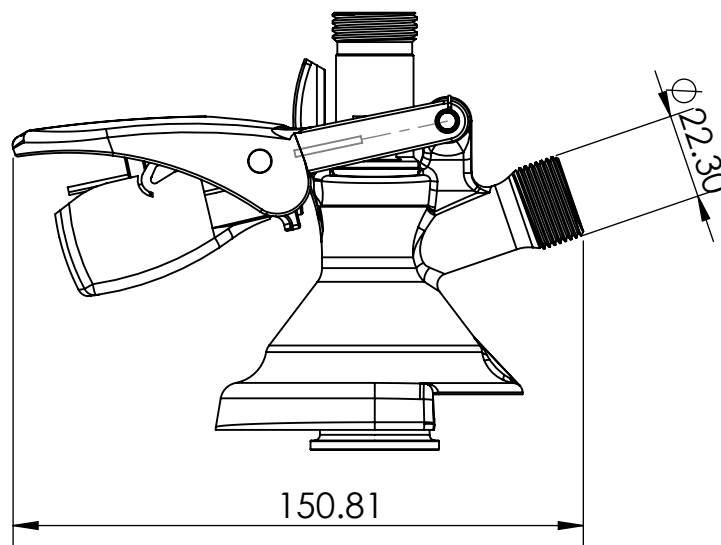
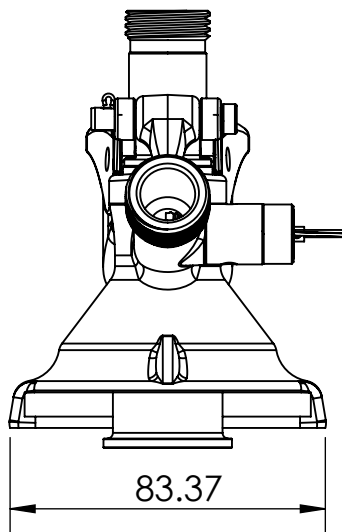
Chrome Plated



Options Available

Part No	Probe Material	PRV	Handle
C723	SS 304	Yes	Eagle

Product Dimensions:-



US & Canada :- +1-678 666 2001

Asia:- +91-9814203010

Krome Dispense reserves the right to make revisions to product specifications without any notice
For most updated specification sheet , go to www.kromedispense.com

