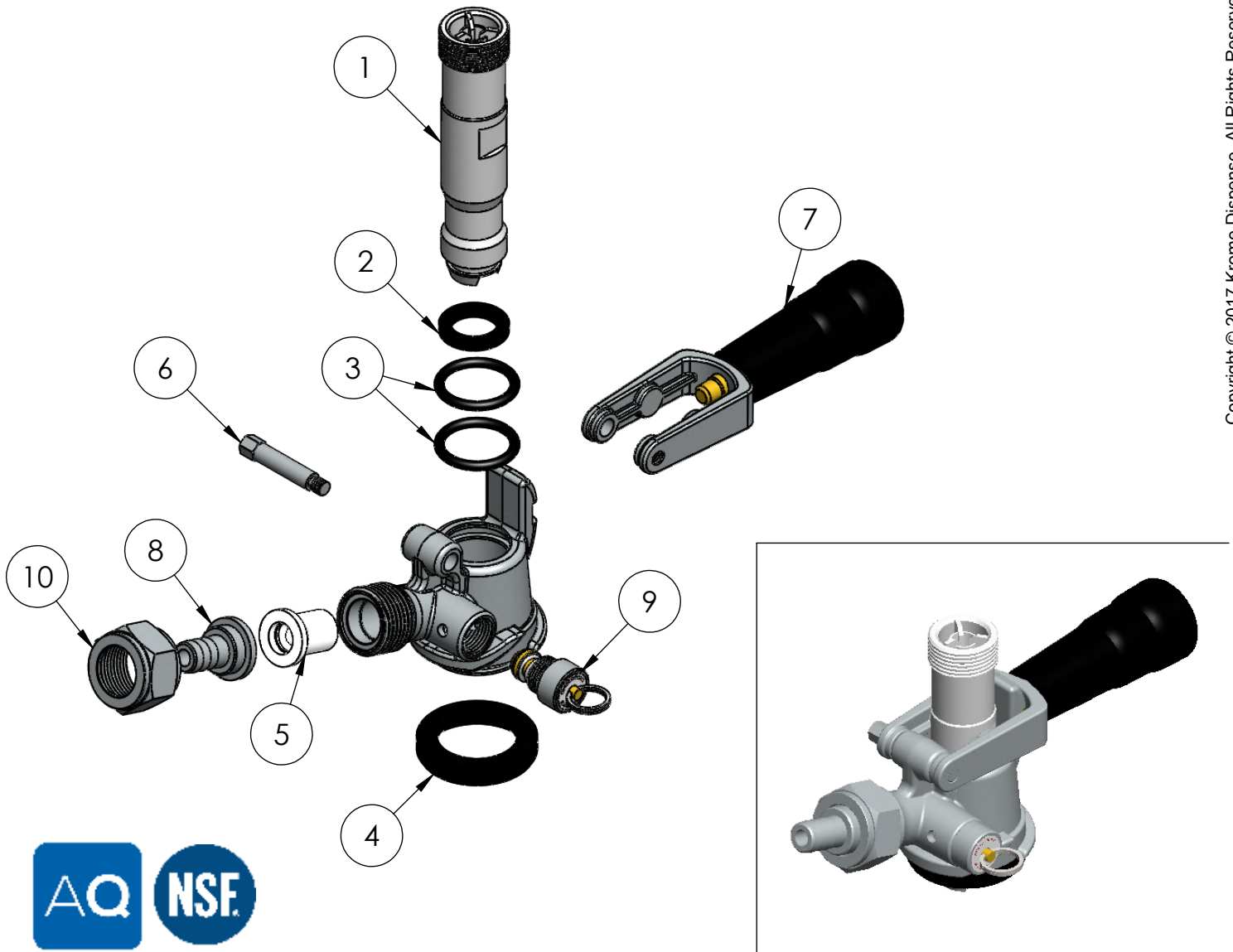


ItemNo.	Part No.	Part Name	Qty.
1	C703.50	D System Probe & ball Retainer Sub-Assembly	1
2	C703.02	D System probe Seal	1
3	C704.03	Coupler Body O-Ring	2
4	C704.05	Shanky Bottom Seal	1
5	C704.08	Check Valve	1
6	C704.09	Handle Hinge Pin	1
7	C704.10	Short Handle	1
8	C704.11	Gas Hose Nipple	1
9	C712.13	PRV	1
10	C181	CHROME PLATED BRASS BEER HEX NUT	1

Revision # 01 - ...

Copyright © 2017 Krome Dispense. All Rights Reserved



US & Canada :- +1-678 666 2001
 Asia:- +91-9814203010

Krome Dispense reserves the right to make revisions to product specifications without any notice
 For most updated specification sheet , go to www.kromedispense.com