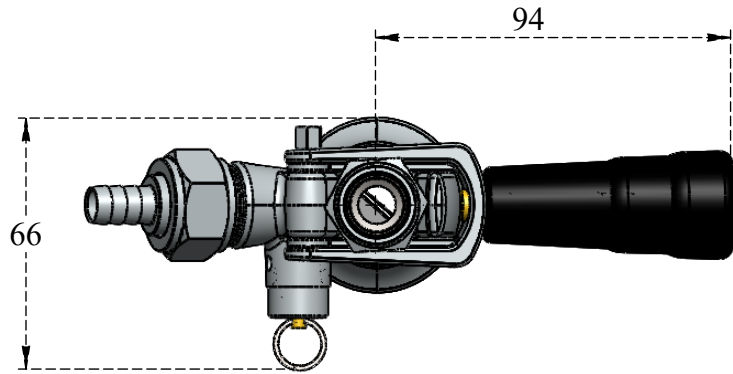


PART NO.-

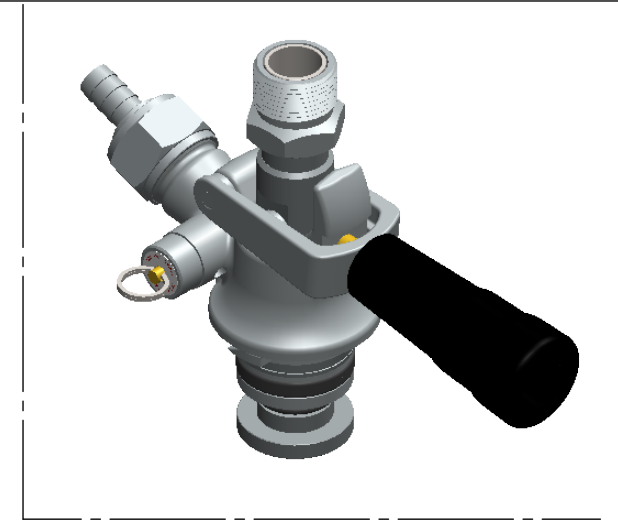
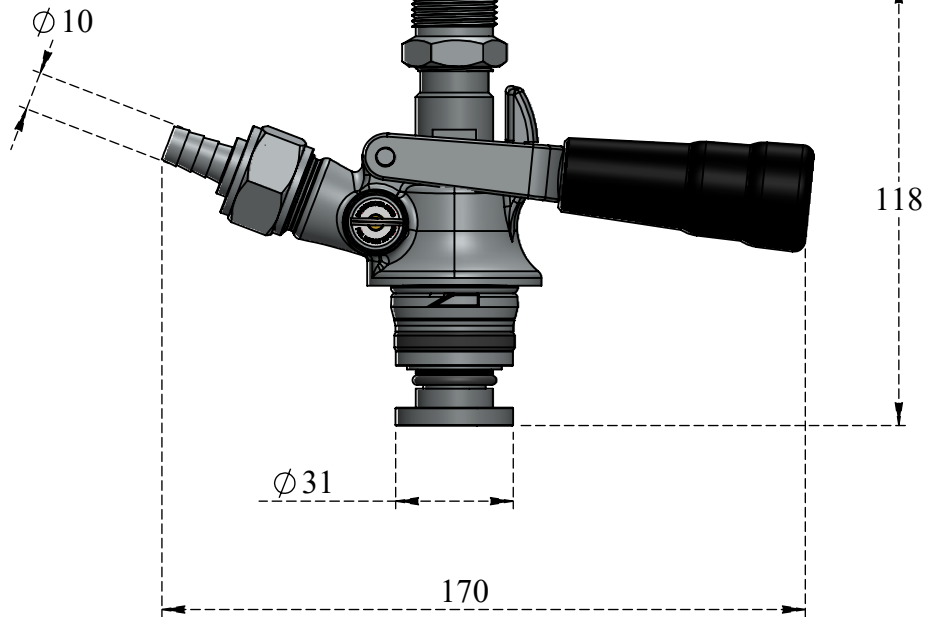
C712 Line Drawing

TITLE-

U System Keg Coupler Line Drawing



Threading 5/8" x 14 BSP



All dimensions are in mm



Note:- Information provided for reference only.

* This document and the information thereon is the property of Krome Dispense Pvt Ltd. & its subsidiaries. Any reproduction in part or as a whole without the written permission of Krome Dispense Pvt Ltd. is prohibited.