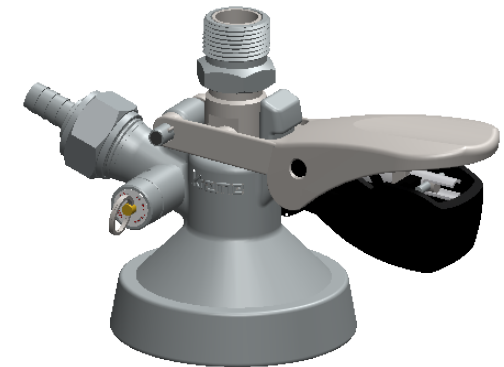
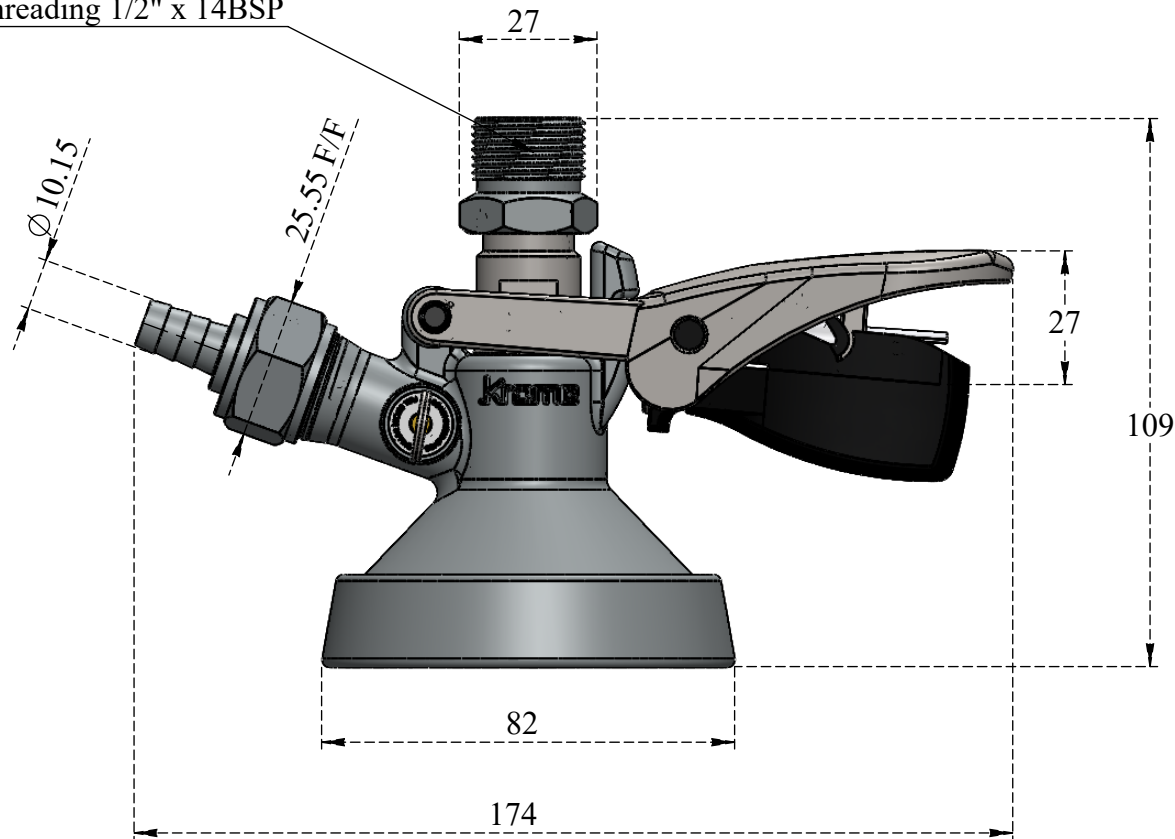


Threading 1/2" x 14BSP

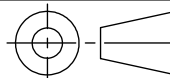


Released

Last Revision 04 add eagle handle

PACIFIC

The Information Contained in this drawing is the property of PACIFIC MERCHANTS and should not in any way divulged to any third party without the prior written consent of the company



Density	0.01 g/mm ³
Drawing Weight	988.58 g
Actual Weight(g)	886g

UNLESS OTHERWISE SPECIFIED:
DIMENSIONS ARE IN MILLIMETERS

SURFACE FINISH LIMIT: $\sqrt{0.4}$ ^{1.6}
TOLERANCES:
LINEAR:
ANGULAR:
Deburr Sharp Edges**

DRAWN BY	:Baljeet singh
DATE	:09-02-2018
CHKD BY	:KS
DATE	:12/02/2018
APPD. BY	:KS
DATE	:13/02/2018

DIMENSIONS

Tolerance Dimension

	0.5-3	>3-6	>6-30	>30-120	>120-400	>400-1000
ALL DIM. IN M.M.	±0.05	±0.05	±0.1	±0.15	±0.2	±0.3
* - IMPORTANT	±0.2	±0.5	±1	±1	±1	±1
** - CRITICAL	<±10	>10-50	>50-120	>120-400	>400	
*** - MOST CRITICAL	±1*	±0.3*	±0.2*	±0.1*	±0.5*	

MATERIAL	
SURFACE AREA	111873.82 mm ²
VOLUME	145393.31mm ³
REVISION	:05
FINISH	:
PART NO.	C715 Line

TITLE

G System Coupler