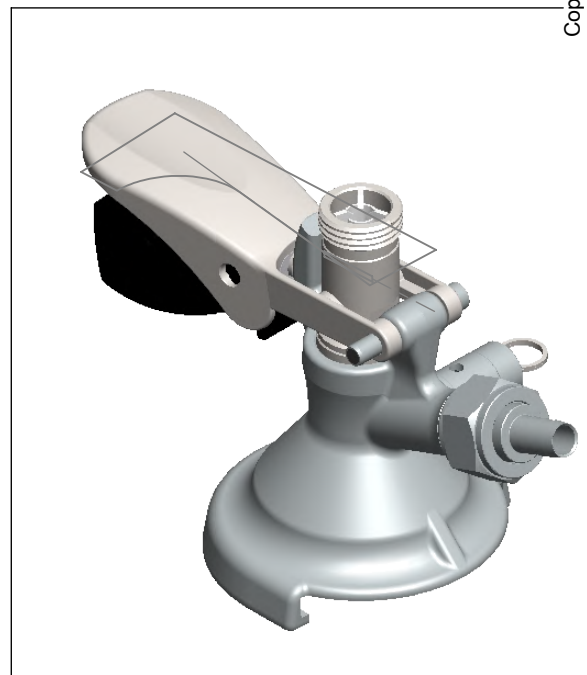
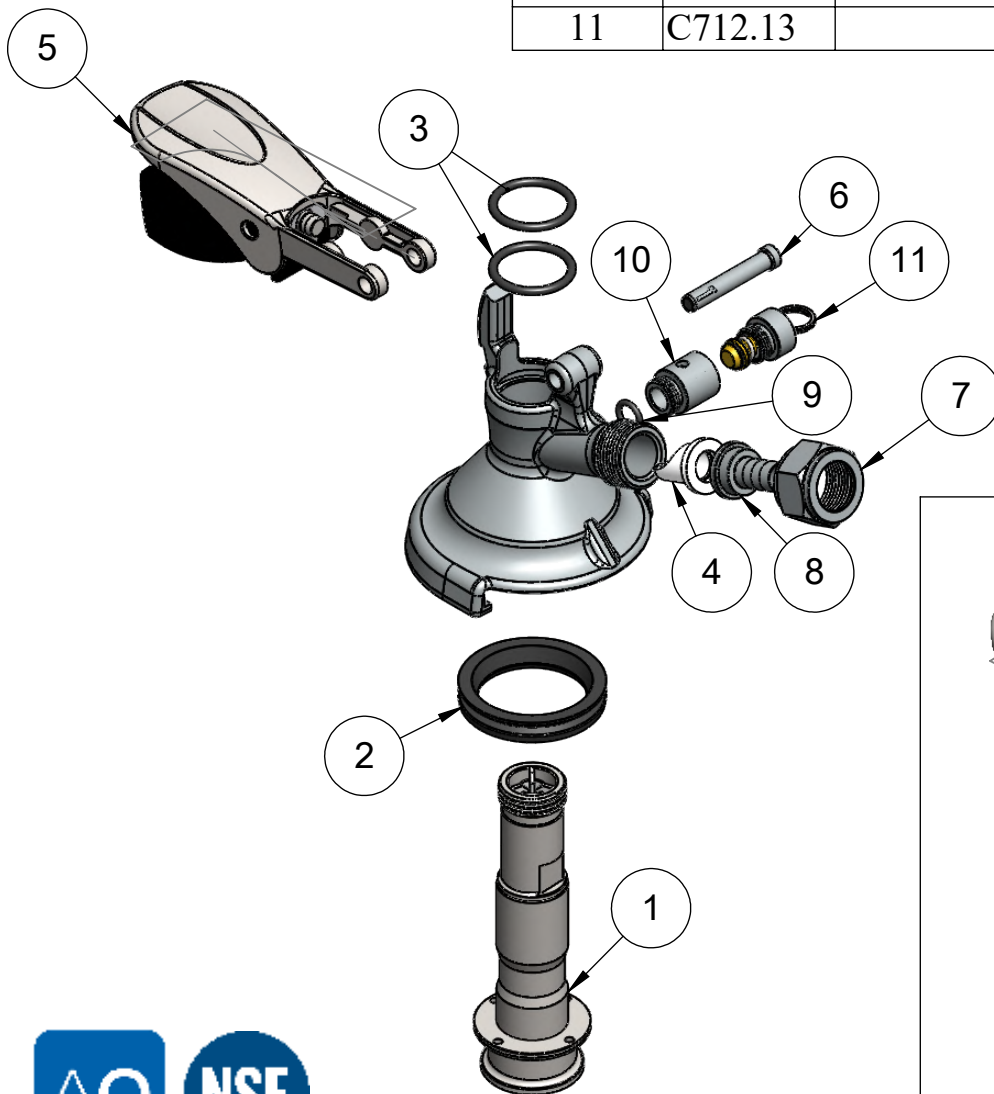


ItemNo.	Part No.	Part Name	Qty.
1	C716.50	A System Probe Sub-Assembly	1
2	C716.03	A System Shanky Bottom washer	1
3	C716.07	A System Body O-Ring	2
4	C704.08	Check Valve	1
5	C2101.01	Eagle Handle	1
6	C712.14	Coupler Handle Pin	1
7	C181	CHROME PLATED BRASS BEER HEX NUT	1
8	C103	Tailpiece 5/16"	1
9	C804.03	O-Ring for PRV Holder	1
10	C804.02	PRV Holder	1
11	C712.13	PRV	1



US & Canada :- +1-678 666 2001
 Asia:- +91-9814203010

Krome Dispense reserves the right to make revisions to product specifications without any notice
 For most updated specification sheet , go to www.kromedispense.com