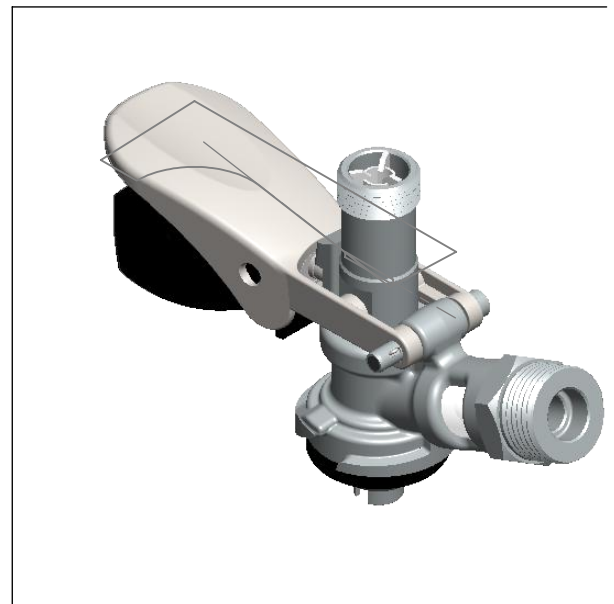
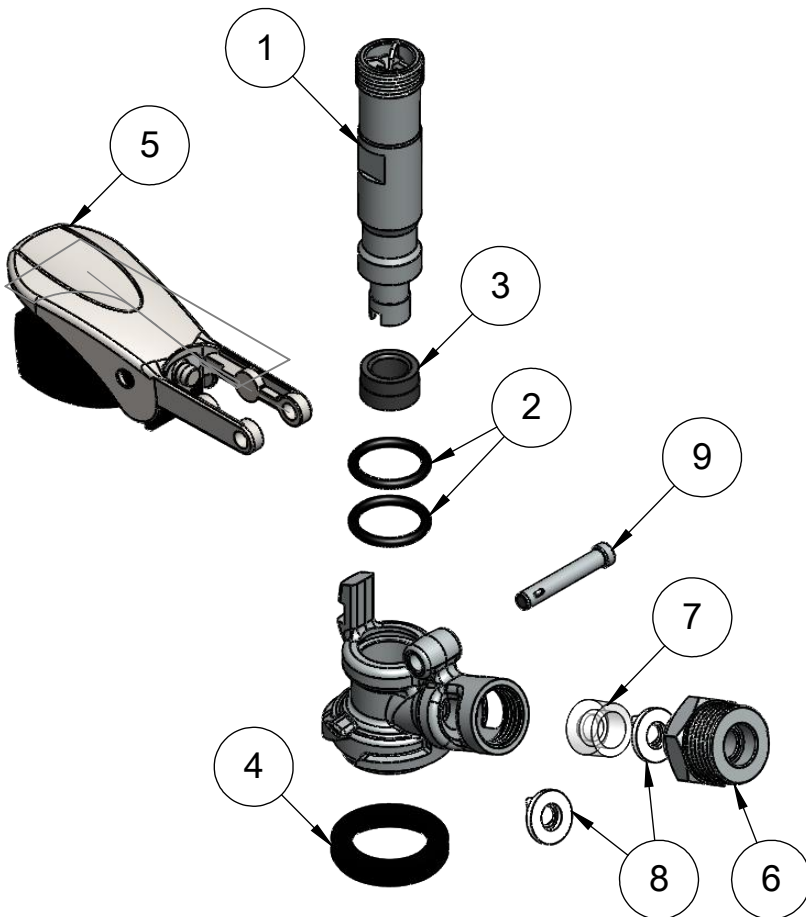


ItemNo.	Part No.	Part Name	Qty.
1	C704.50	S System Probe & Ball Retainer Sub-Assembly	1
2	C704.03	Coupler Body O-Ring	2
3	C704.04	S System Probe Seal	1
4	C704.05	Shanky Bottom Seel	1
5	C2101.01	Eagle Handle	1
6	C716.04	Thread Convertor 3/4"	1
7	C716.05	Site Glass	1
8	C716.06	Check valve	2
9	C712.14	Coupler Handle Pin	1



Copyright © 2017 Krome Dispense. All Rights Reserved. Revision # 01 - ...



US & Canada :- +1-678 666 2001  
 Asia:- +91-9814203010

Krome Dispense reserves the right to make revisions to product specifications without any notice

For most updated specification sheet , go to [www.kromedispense.com](http://www.kromedispense.com)