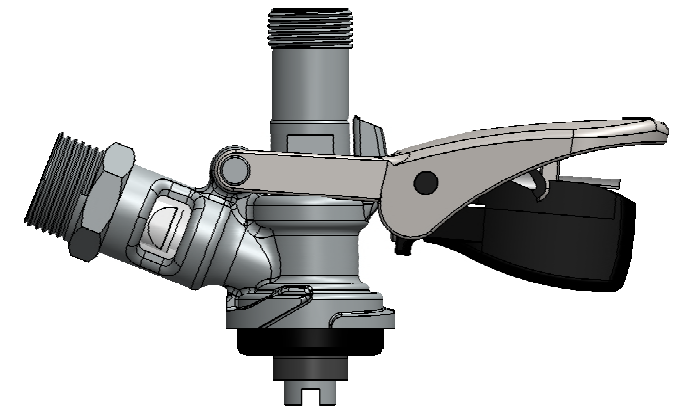
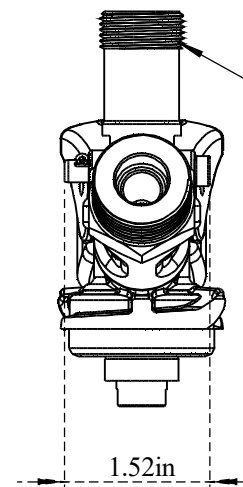
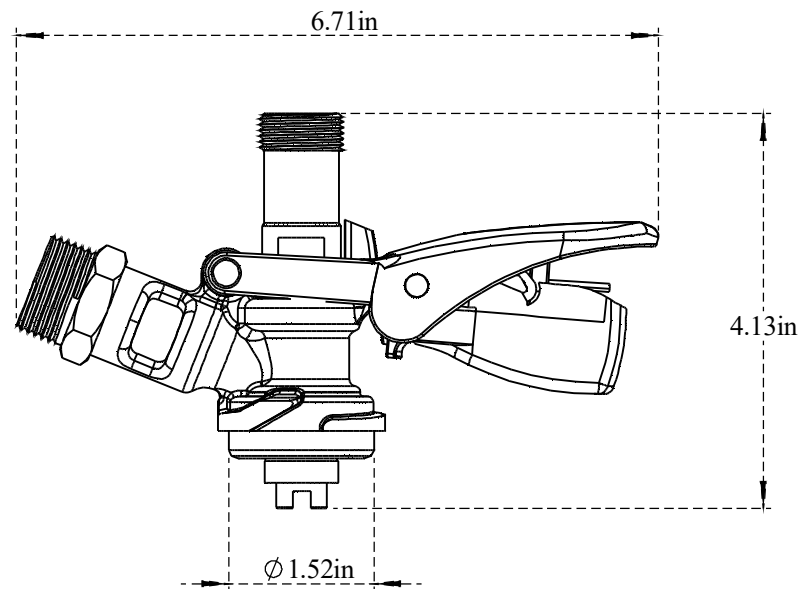


PART NO.-

C744 Line Drawing

TITLE-

S System With SS 316 Probe & Brass Body (With PRV)



Threading 5/8" x 14 BSP



Note:- Information provided for reference only.

* This document and the information thereon is the property of Krome Dispense Pvt Ltd. & its subsidiaries. Any reproduction in part or as a whole without the written permission of Krome Dispense Pvt Ltd. is prohibited.

All dimensions are in inches, mm (in bracket)