

## Features & Benefits:

- Brass body improves durability, offers you long lasting performance
- Solid Stainless Steel 304 Probe , resistance to chemicals
- Features a 60-psi pressure relief valve
- Fits S System Keg Valves
- Short Handle For Small Dia Kegs



**C804**

Electro Polish

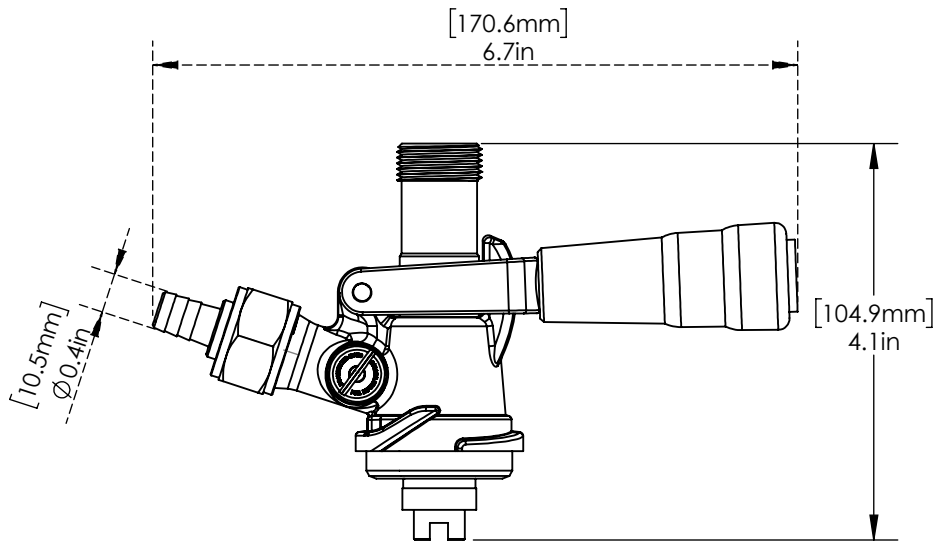
**Warranty:** 2 Years Limited



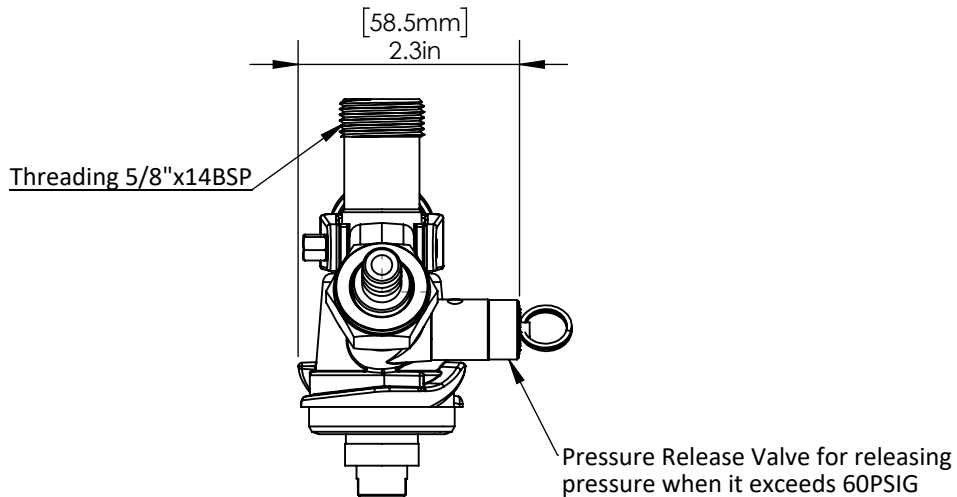
US & Canada :- +1-678 666 2001  
Asia:- +91-9814203010

Krome Dispense reserves the right to make revisions to product specifications without any notice  
For most updated specification sheet , go to [www.kromedispense.com](http://www.kromedispense.com)

## Product Dimensions:



**Front View**



**Side View**

## Options Available:

Part Number	Probe Material	PRV	Handle
C704	SS 304	Yes	Pull
C705	SS 304	Yes	Pull
C805	Brass	Yes	Pull
<b>C745</b>	<b>SS 316</b>	<b>Yes</b>	Pull
<b>C744</b>	<b>SS 316</b>	<b>Yes</b>	Pull

US & Canada :- +1-678 666 2001  
 Asia:- +91-9814203010

Krome Dispense reserves the right to make revisions to product specifications without any notice  
 For most updated specification sheet , go to [www.kromedispense.com](http://www.kromedispense.com)

